

**ARCHITECTURAL STRUCTURES I:  
STATICS AND STRENGTH OF MATERIALS**

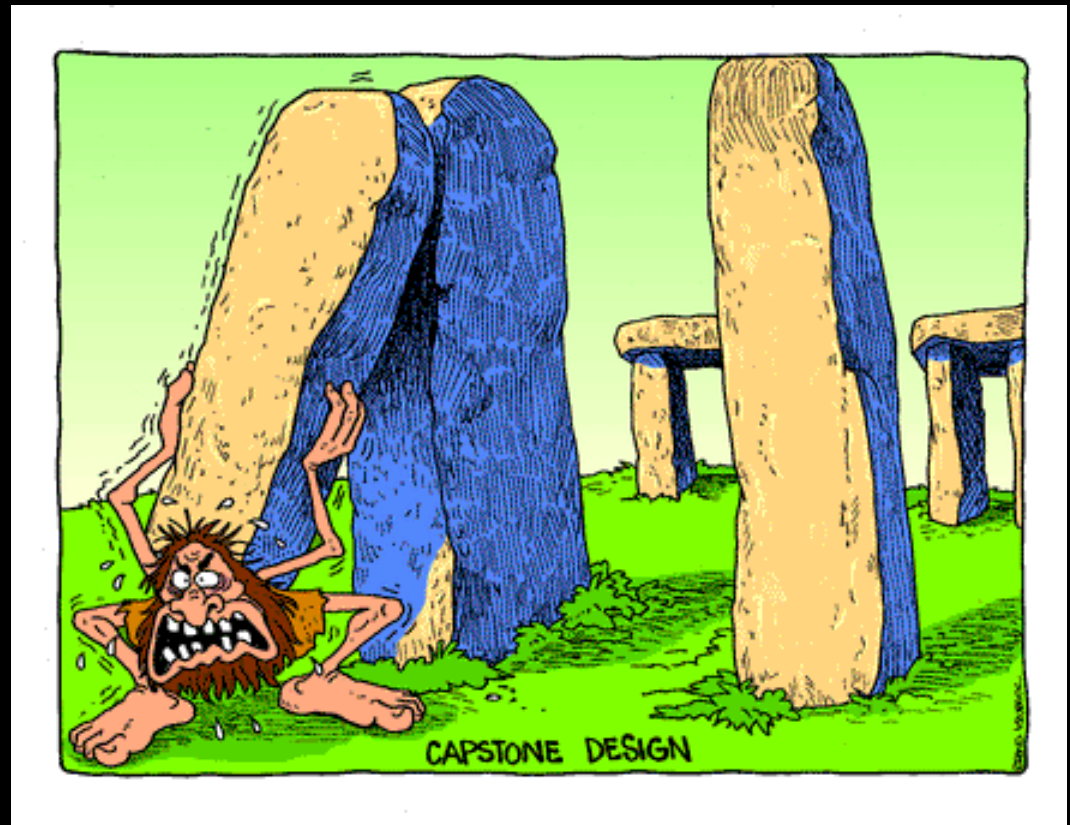
**ENDS 231**

**DR. ANNE NICHOLS**

**FALL 2007**

**lecture  
five**

**rigid body  
equilibrium**



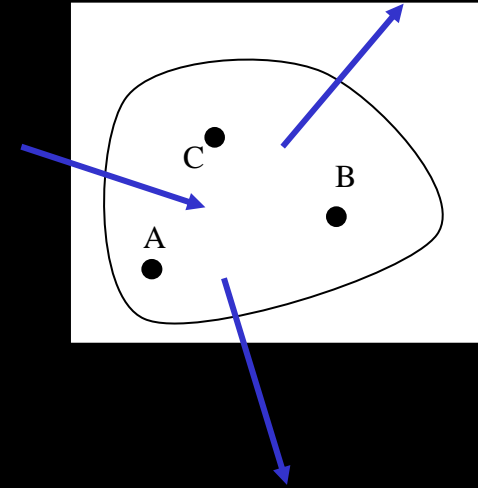
# Equilibrium

- *rigid body*
  - *doesn't deform*
  - *coplanar force systems*

- *static:*  $R_x = \sum F_x = 0$

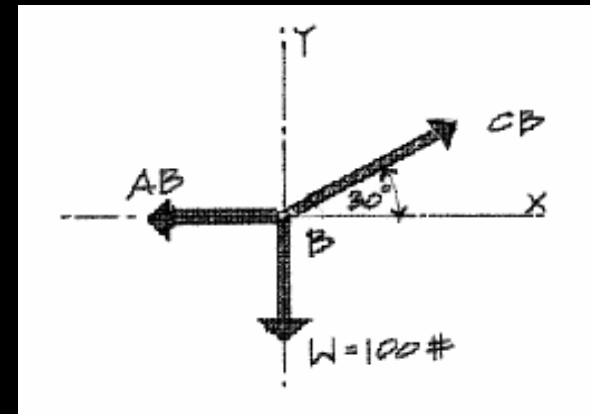
$$R_y = \sum F_y = 0$$

$$M = \sum M = 0$$



# Free Body Diagram

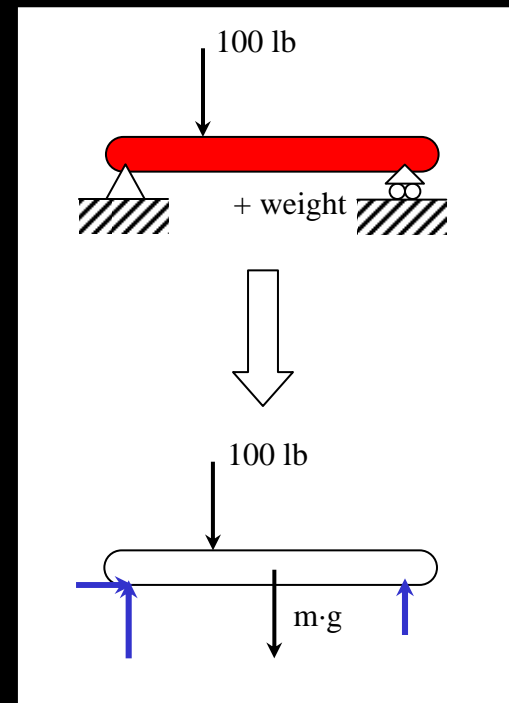
- *FBD (sketch)*
- *tool to see all forces on a body or a point including*
  - *external forces*
  - *weights*
  - *force reactions*
  - *external moments*
  - *moment reactions*
  - *internal forces*



(Example 1)

# Free Body Diagram

- *determine body*
- *FREE it from:*
  - *ground*
  - *supports & connections*
- *draw all external forces acting ON the body*
  - *reactions*
  - *applied forces*
  - *gravity*



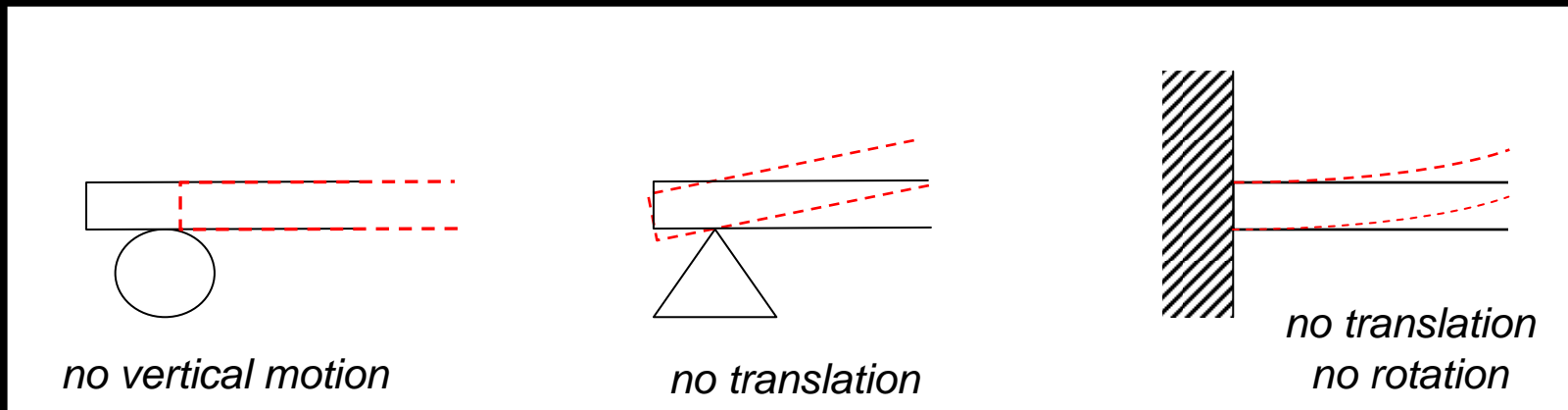
# *Free Body Diagram*

---

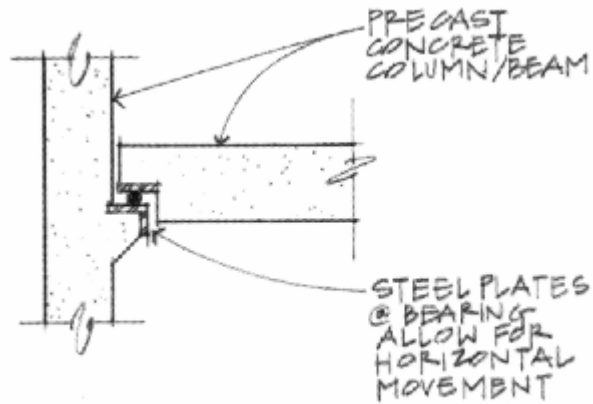
- *include relevant geometry*
  - *guidelines helpful to see moment arms*
- *name and/or color the unknown*
  - *forces*
  - *moments*
  - *angles*
- *solve up to 3 equations*

# Reactions

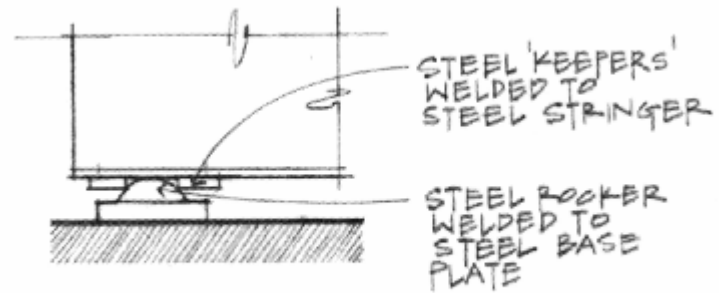
- *result of applying force*
- *unknown size*
- *connection or support type*
  - *known direction*
  - *related to motion prevented*



# Supports and Connections



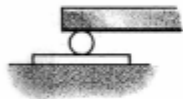
Roller



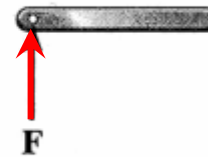
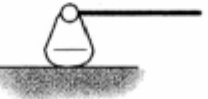
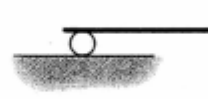
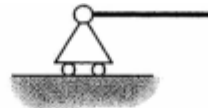
Rocker



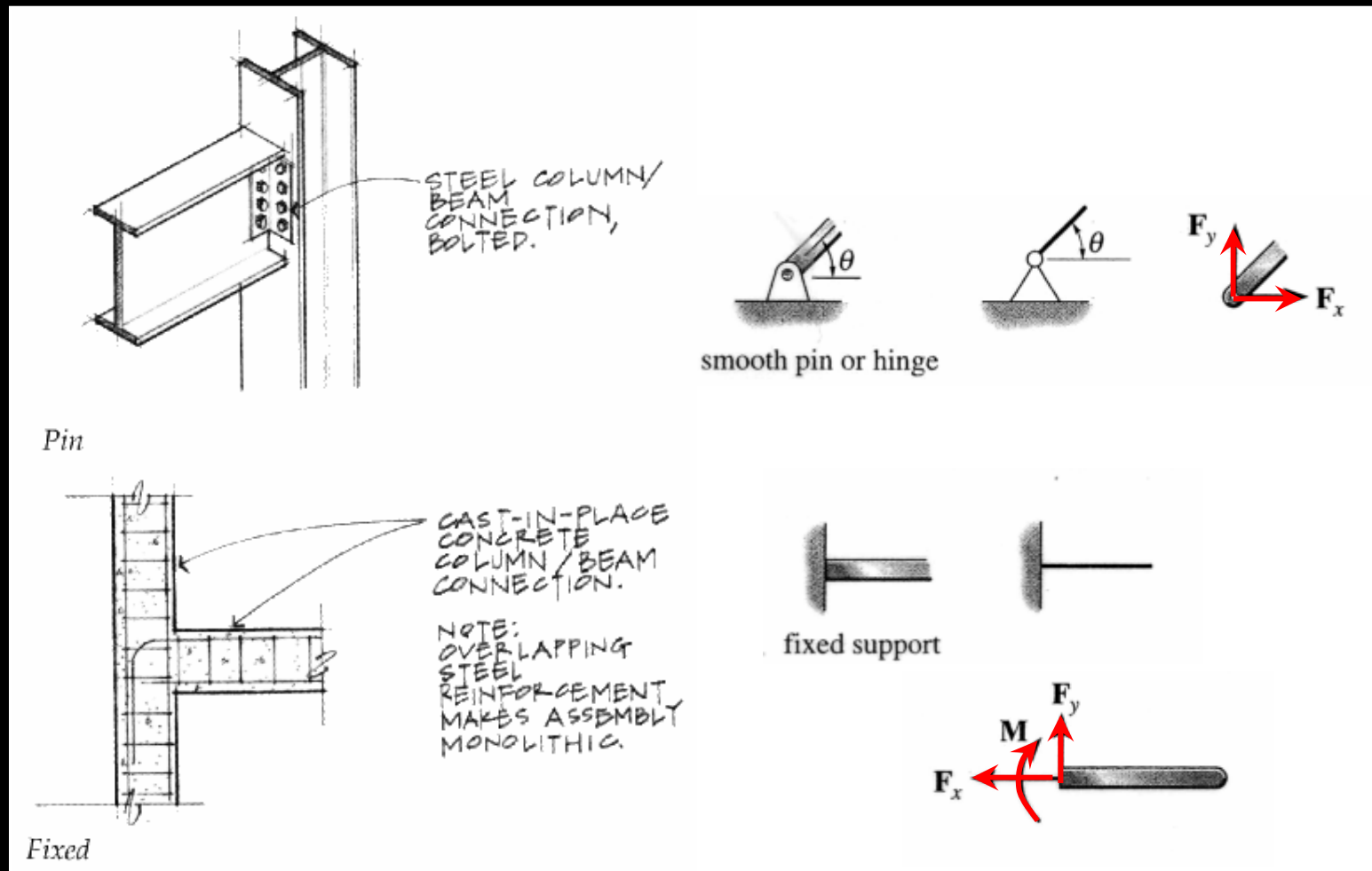
rollers



rocker



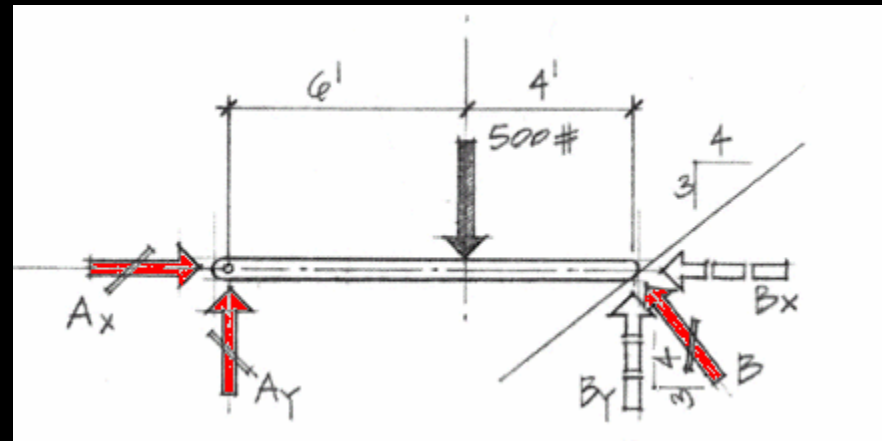
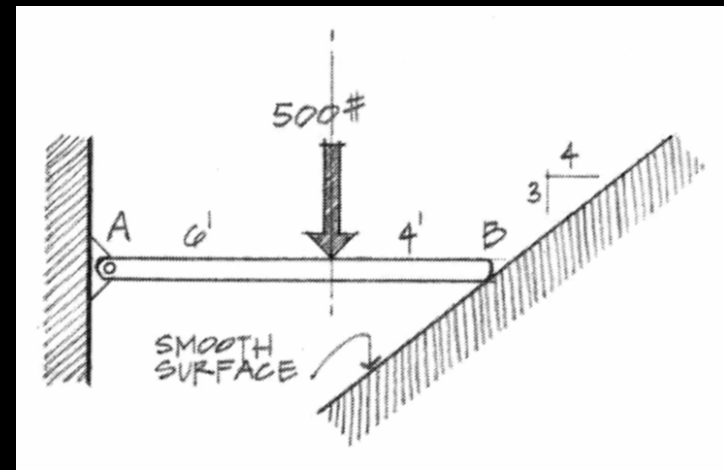
# Supports and Connections





# FBD Example

- 500 lb known
- pin –  $A_x$ ,  $A_y$
- smooth surface –  $B$  at 4:3
- 3 equations
- sum moments at
  - $A$ ?
  - $B$ ? ( $B_x$ )



# Moment Equations

---

- *sum moments at intersection where the most forces intersect*
- *multiple moment equations may not be useful*
- *combos:*

$$\sum F_x = 0$$

$$\sum F_y = 0$$

$$\sum M_1 = 0$$

$$\sum F = 0$$

$$\sum M_1 = 0$$

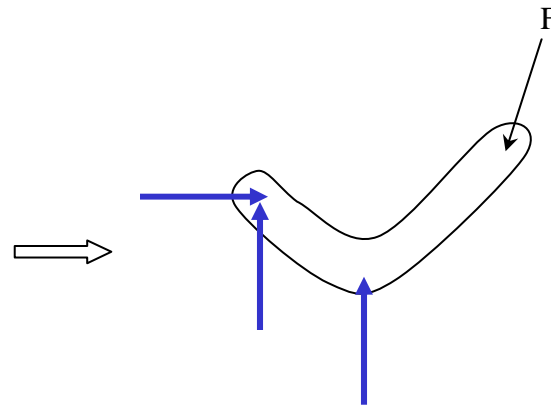
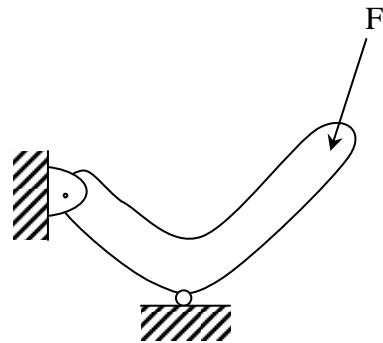
$$\sum M_2 = 0$$

$$\sum M_1 = 0$$

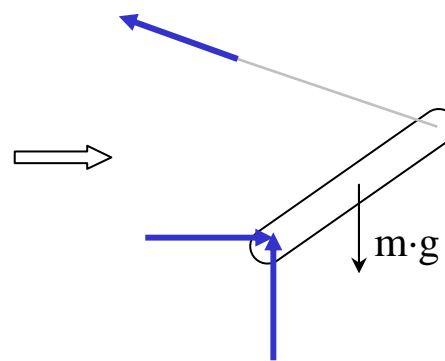
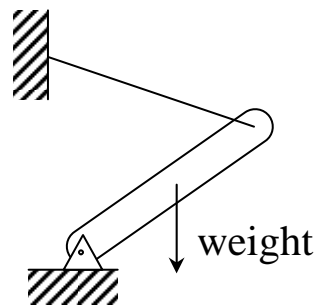
$$\sum M_2 = 0$$

$$\sum M_3 = 0$$

# Recognizing Reactions

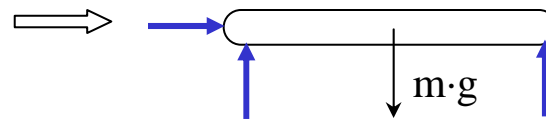
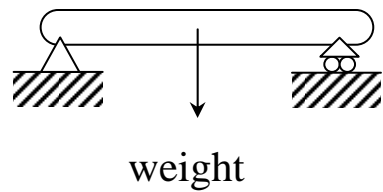


3  
unknowns

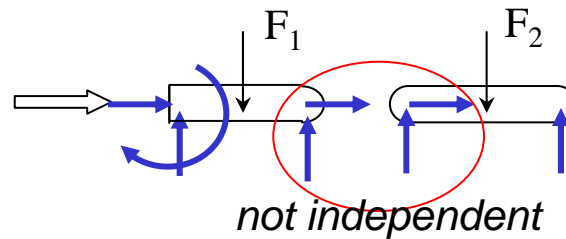
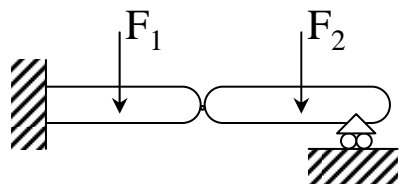


3  
unknowns

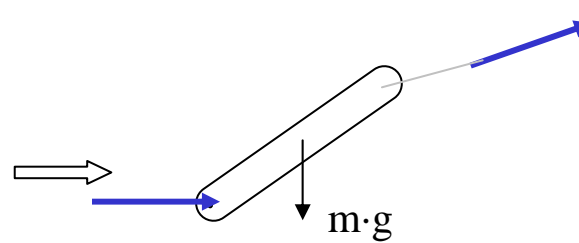
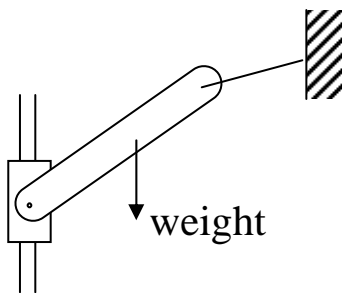
# Recognizing Reactions



3  
unknowns



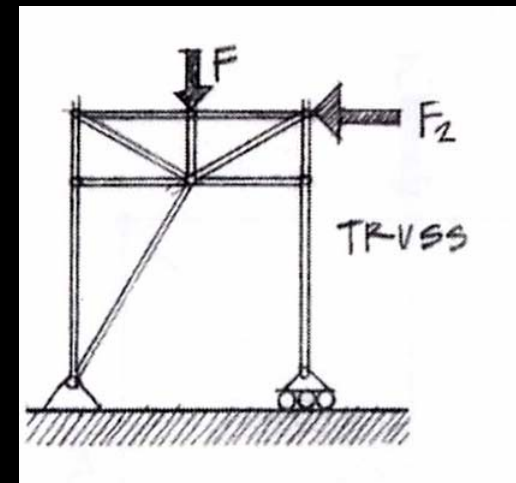
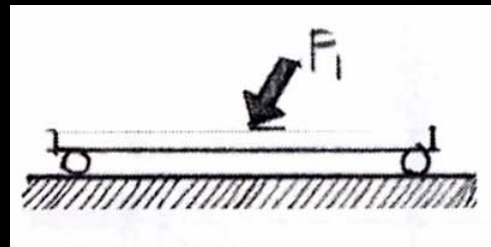
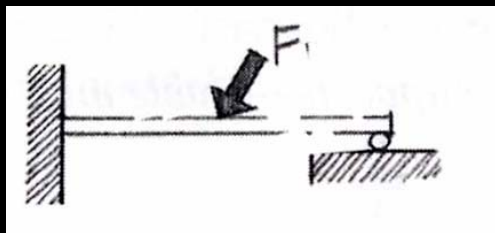
6  
unknowns for  
2 bodies



2  
unknowns

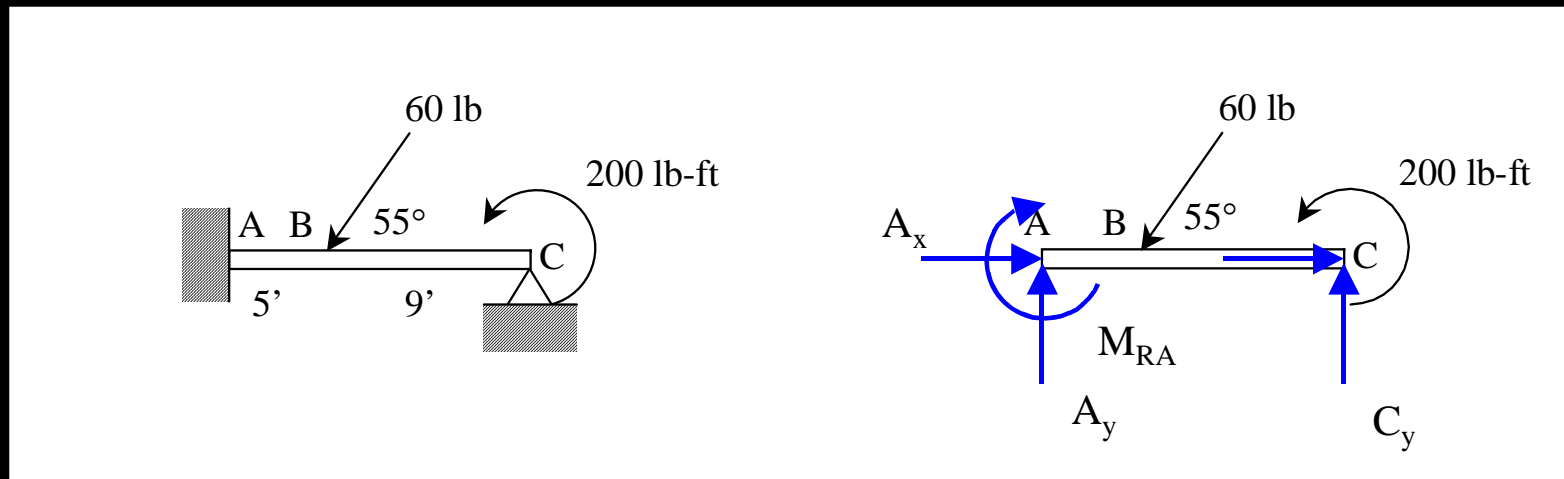
# Constraints

- *completely constrained*
  - *doesn't move*
  - *may not be statically determinate*
- *improperly or partially constrained*
  - *has  $\leq$  unknowns*
  - *can't solve*

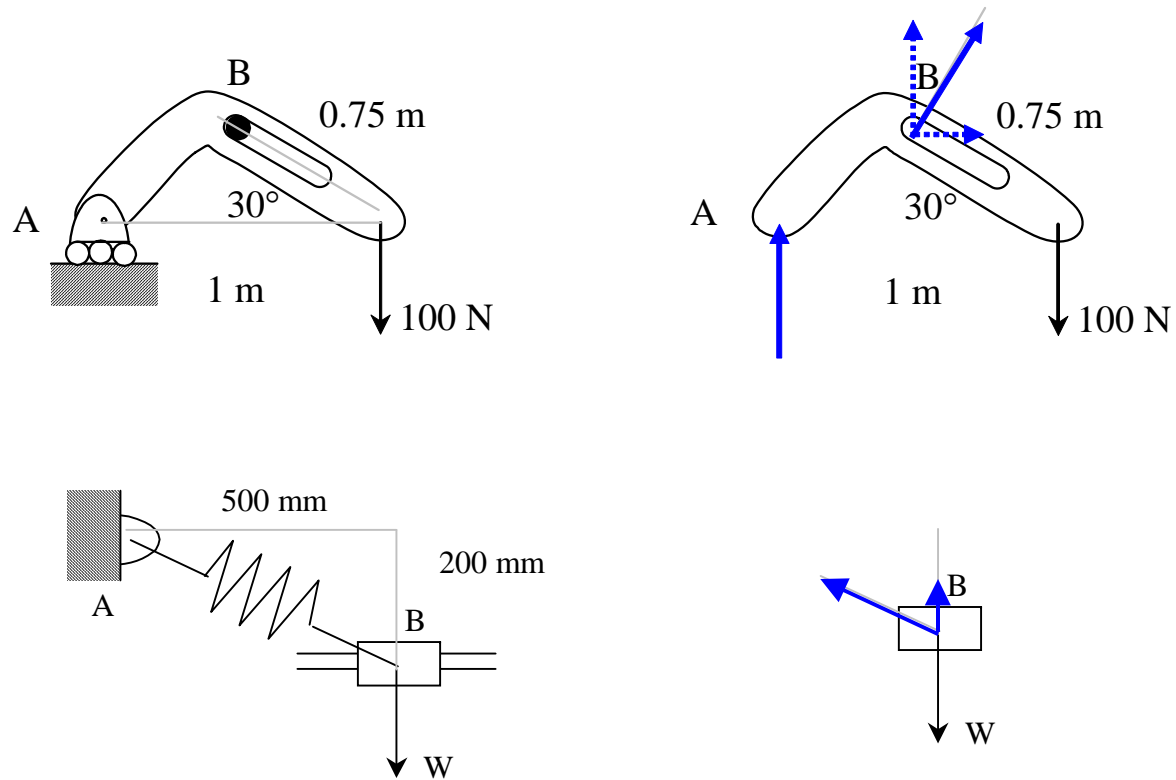


# Constraints

- *overconstrained*
  - *won't move*
  - *can't be solved with statics*
  - *statically indeterminate to  $n^{\text{th}}$  degree*

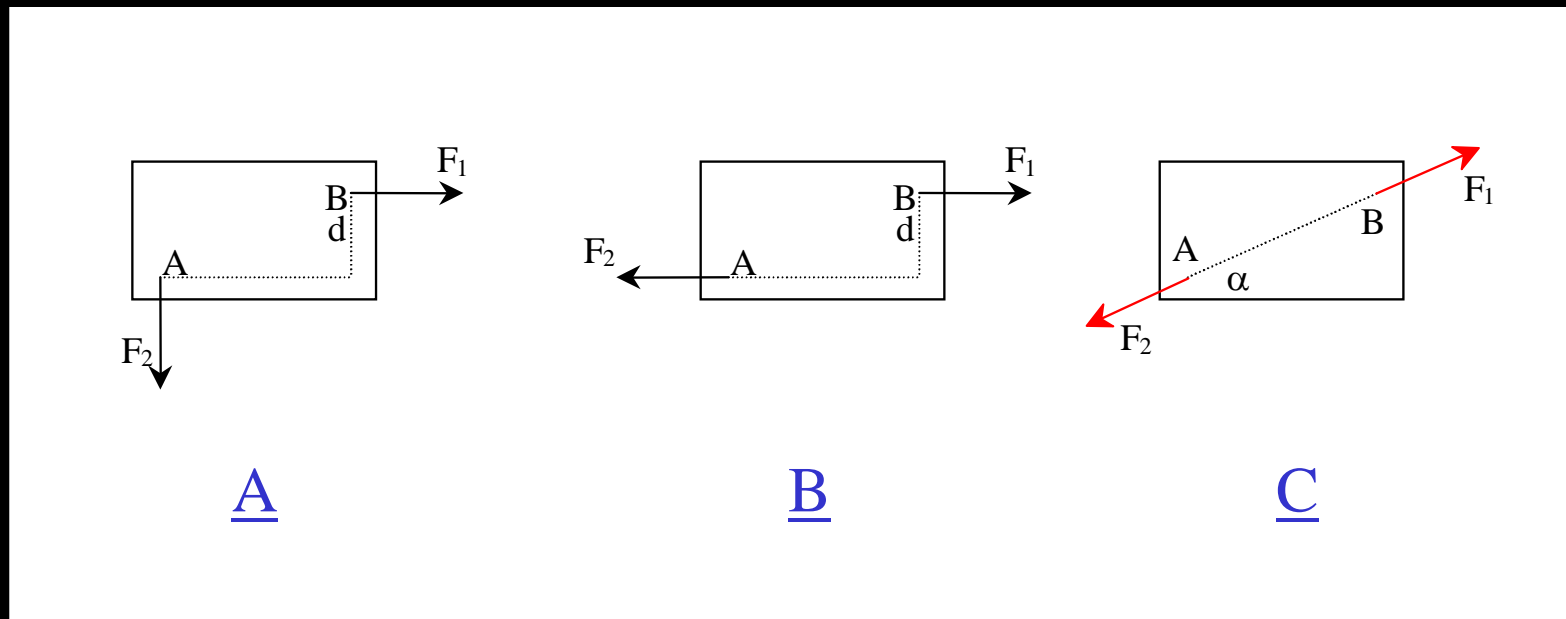


# Partial Constraints



# Two Force Rigid Bodies

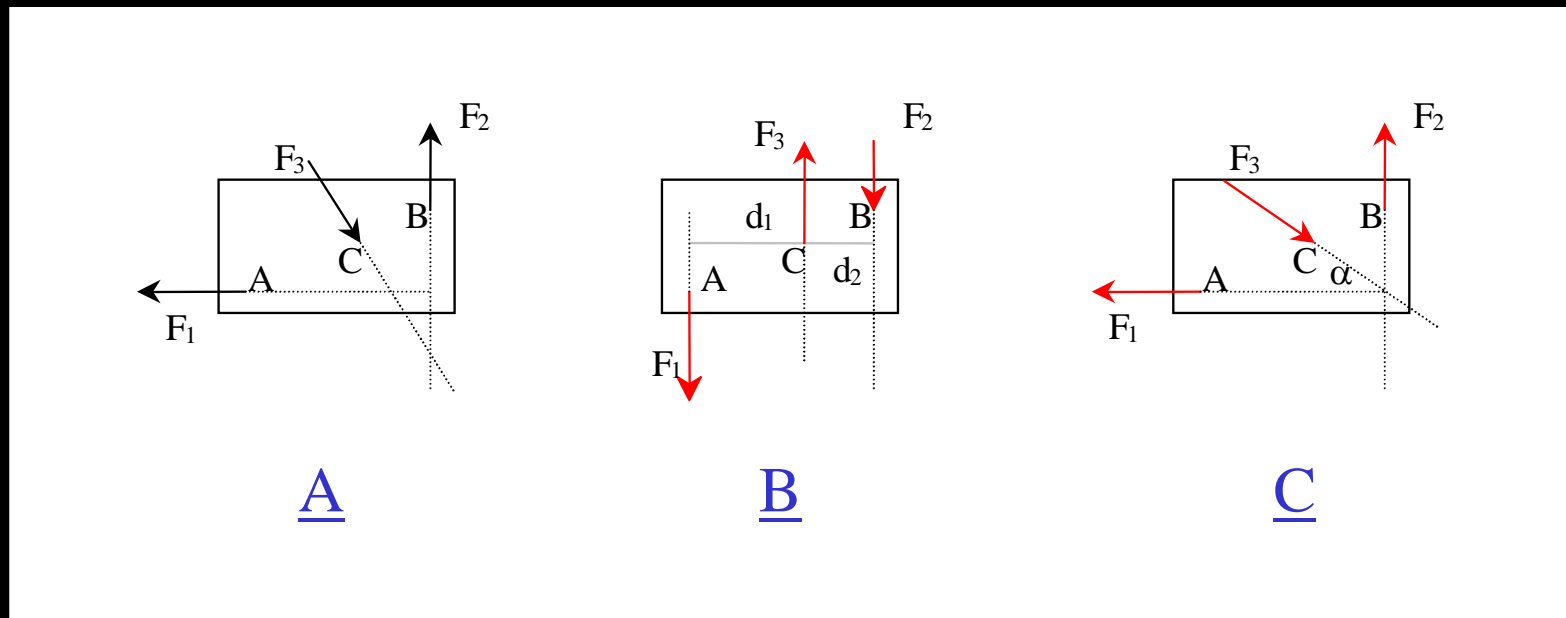
- *equilibrium:*
  - forces in line, equal and opposite





# Three Force Rigid Bodies

- *equilibrium:*
  - *concurrent or parallel forces*



# Cable Reactions

- *equilibrium:*
  - *more reactions (4) than equations*
  - *but, we have slope relationships*
  - *x component the same everywhere*

