

## ENDS 231: Practice Quiz 1

*Note: A one page (one sided) crib sheet is allowed during the quiz,  
along with a silent, **non-programmable** calculator.*

Clearly show your work and answer.

---

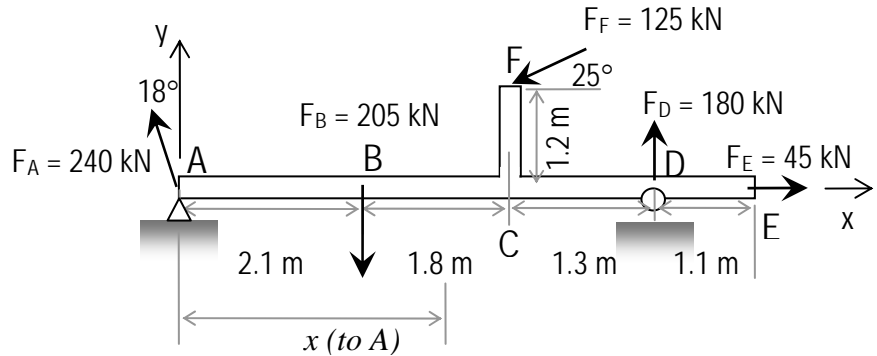
A structure has the coplanar, nonconcurrent force system as shown below.

- a) What is the magnitude, direction and sense of the resultant of the system (size and direction to  $+x$ )?

- b) What is the *resultant moment* of the force system with respect to point A [or B or ...]?

- c) If it is known that the  $x$  component of the resultant force acts along line A-B, what is the horizontal location,  $x$ , of the  $y$  component of the resultant force with respect to point A [or B or ...]?

- d) [some short question from the text material]



*Answers – Not provided on actual quiz!*

- a)  $R = 207.2 \text{ kN}$ ,  $\theta = 133.4^\circ$   
 b)  $M_{@A} = +435.4 \text{ kN}\cdot\text{m}$  (or  $M_{@B} = 119.5 \text{ kN}\cdot\text{m}$ )  
 c)  $x_A = 2.9 \text{ m}$  (or  $x_B = 0.8 \text{ m}$ ) [when  $R_y = 150.4 \text{ kN up}$ ]

**Disclaimer: Answers have NOT  
been painstakingly researched.**