

### ENDS 231: Practice Quiz 6

*Note: A one page (one sided) crib sheet is allowed during the quiz, along with a silent, **non-programmable** calculator.*

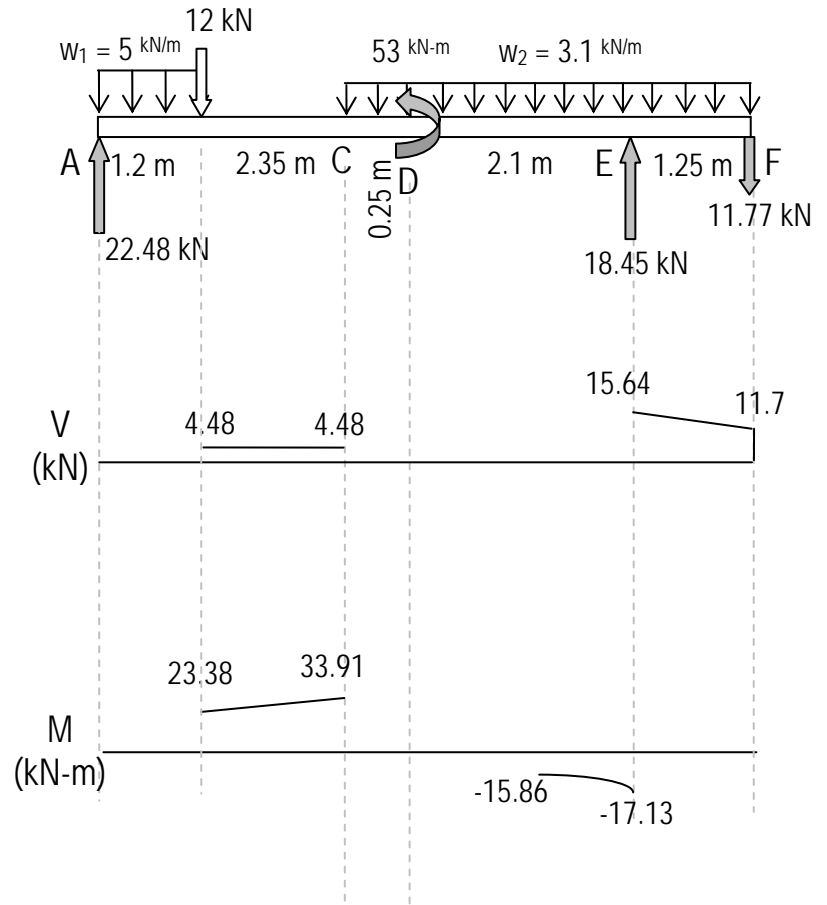
Clearly show your work and answer.

Given the beam with the following loading and support reactions:

a) Complete the shear and bending moment diagrams by plotting all lines and identifying all values.

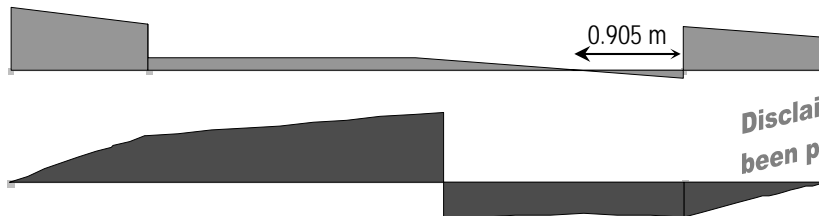
b) What is the maximum shear and maximum bending moments? Clearly indicate where they are located.

c) [some short question from the text material]



Answers— Not provided on actual quiz!

a) (values are not marked)



b)  $V_{\max} = 22.48 \text{ kN}$  at A,  $M_{\max} = 34.92 \text{ kN-m}$  at D

**Disclaimer: Answers have NOT been painstakingly researched.**