

“The Best Structure”

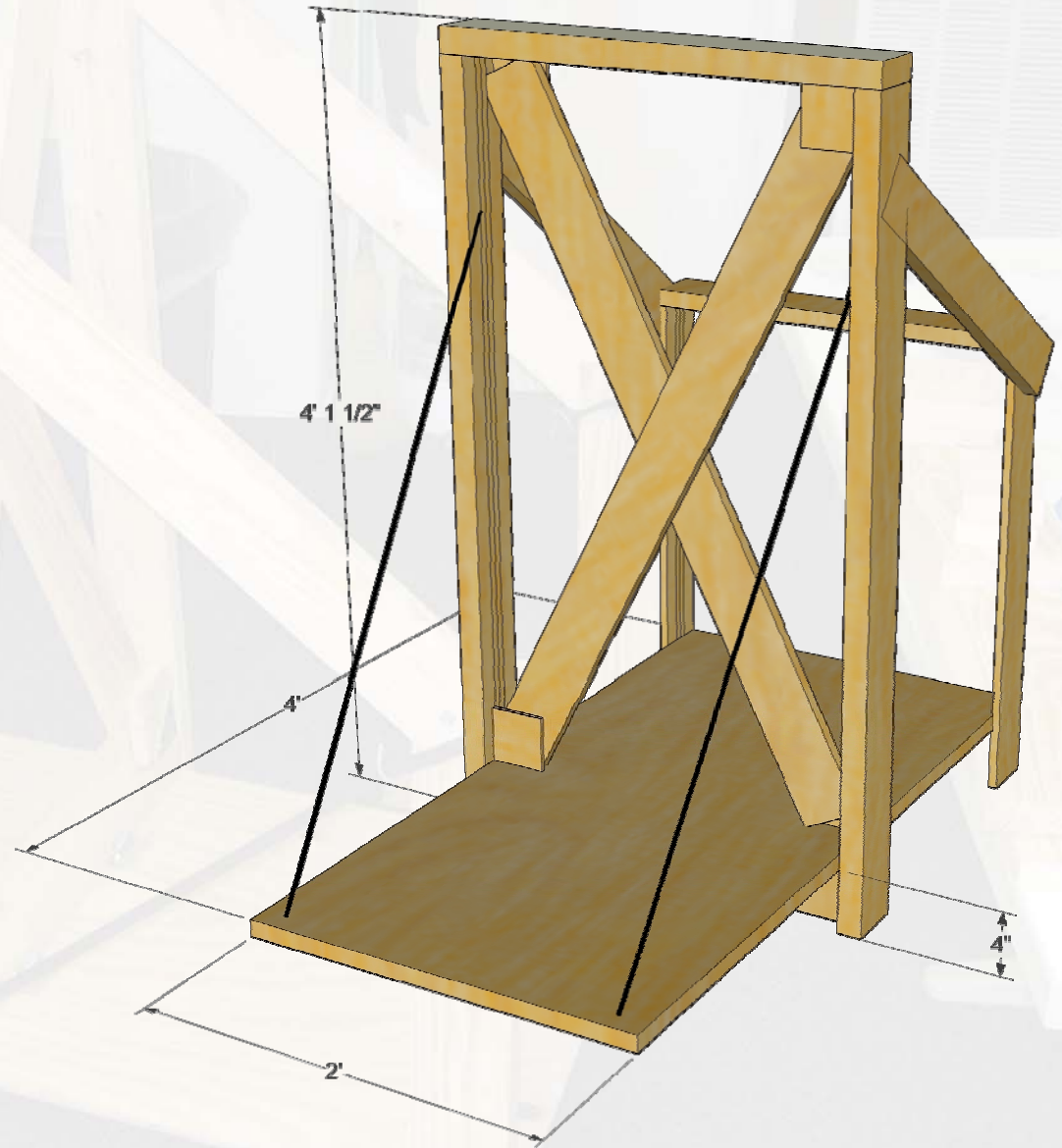
Anorea Hill, Haeoak Park, Yongkyu Lee, Junyang Tang, Lei Guo

Overview

Concept
Cantilever
Rigid Frame

Systems

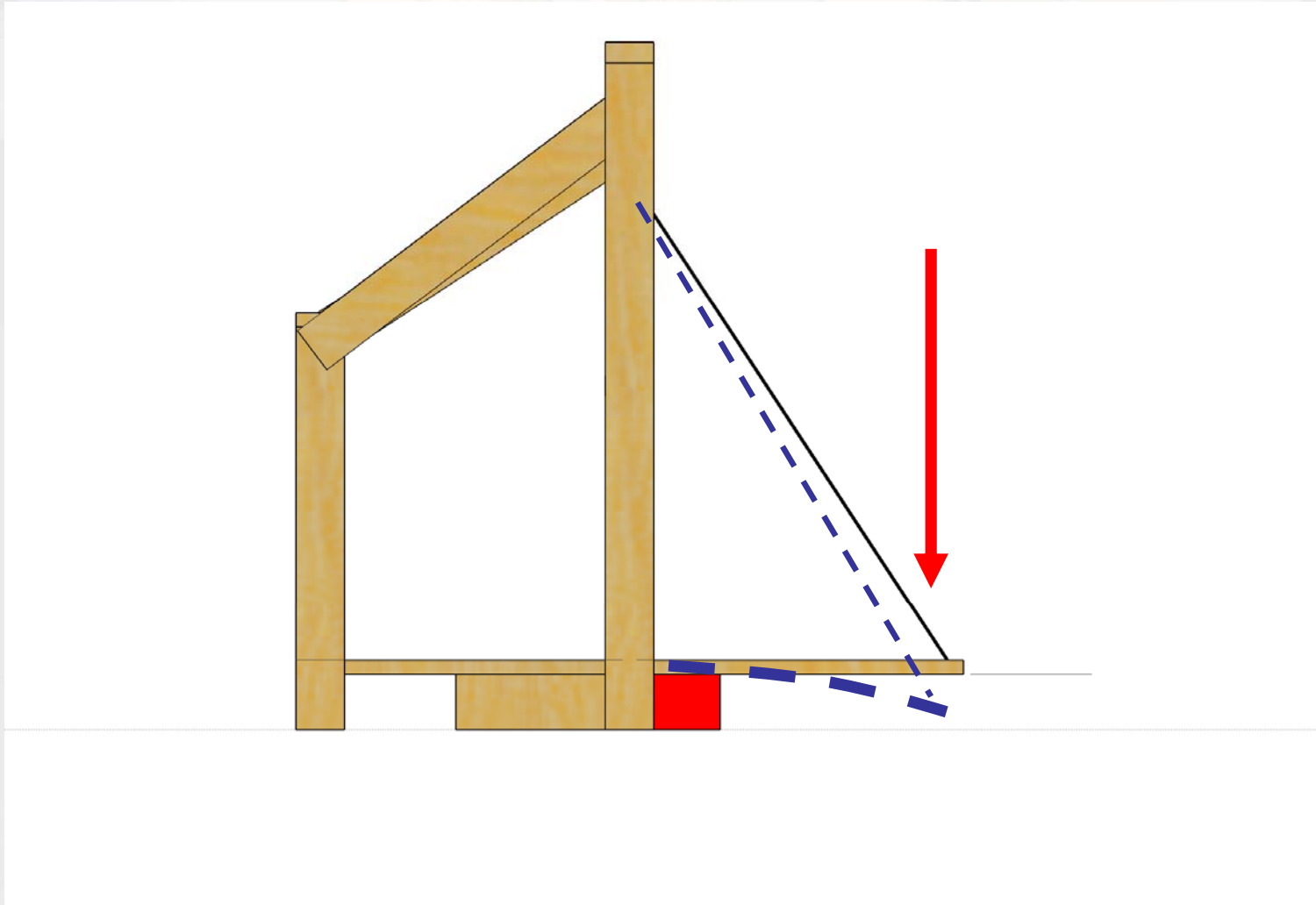
1. Bracing
2. Rigid Frame
3. Tensile
4. Floor with basement



Process



Cantilever



Cantilever

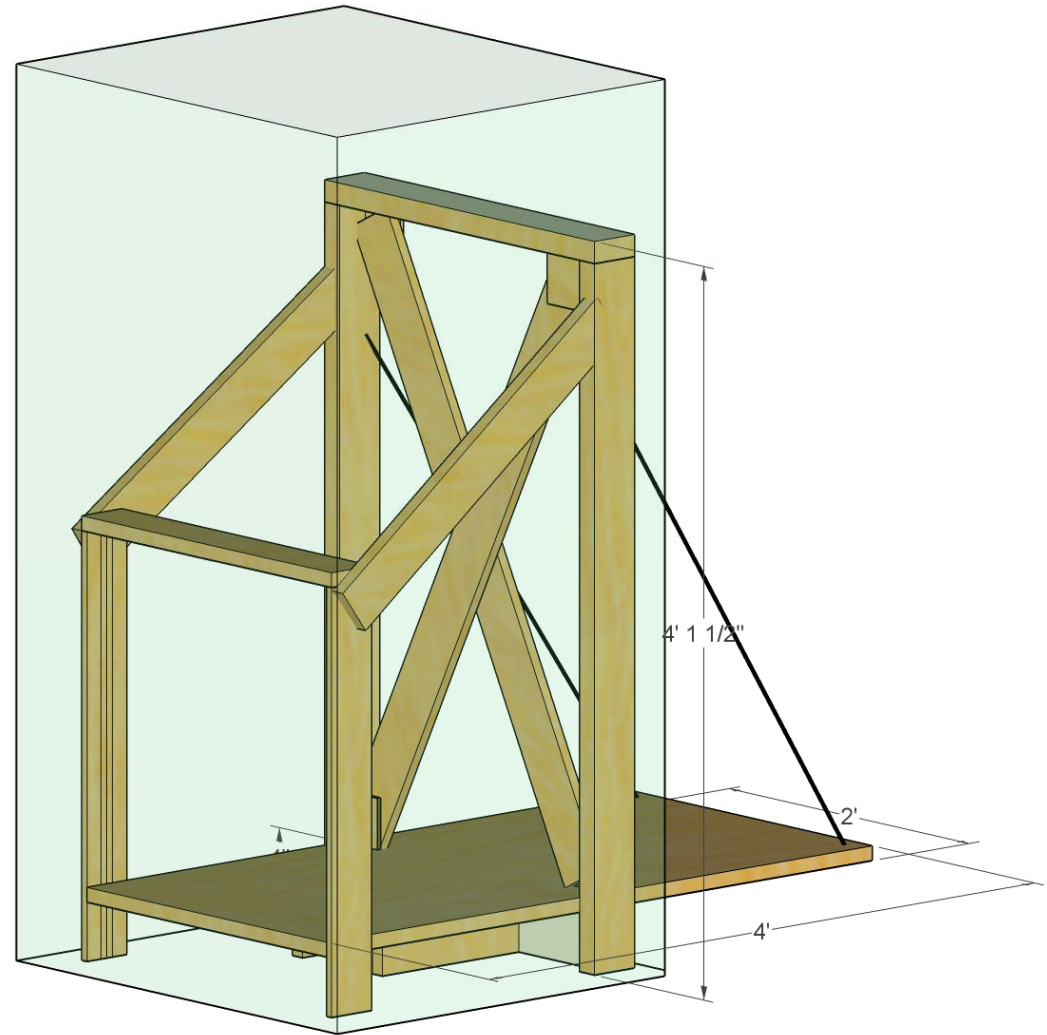
- With tensile



- Without tensile



Rigid Frame



Rigid Frame

Combination of...

- Column
- Girder
- Bracing

To Show

- Lateral Force
- Torsion



Without Bracing.....

Hard to resist

- Lateral force
- Torsion



Cost

Total cost: \$43.50

5 2x4 @ \$0.51 ea.

4 cross bracing lumber @ \$3.00 ea.

4 ties @ \$1.90 ea.

Screws: free

2 pack of L-brackets @ \$1.20 ea.

4 corner brackets @ \$0.80 ea.

4 hinges @ \$0.60 ea.

Plywood base \$4.80

4 pack of hooks \$2.00 ea.

Pack of Drivers \$5.00

Presentation

