

**ARCHITECTURAL STRUCTURES:
FORM, BEHAVIOR, AND DESIGN**

ARCH 331

DR. ANNE NICHOLS

FALL 2013

lecture
twenty one

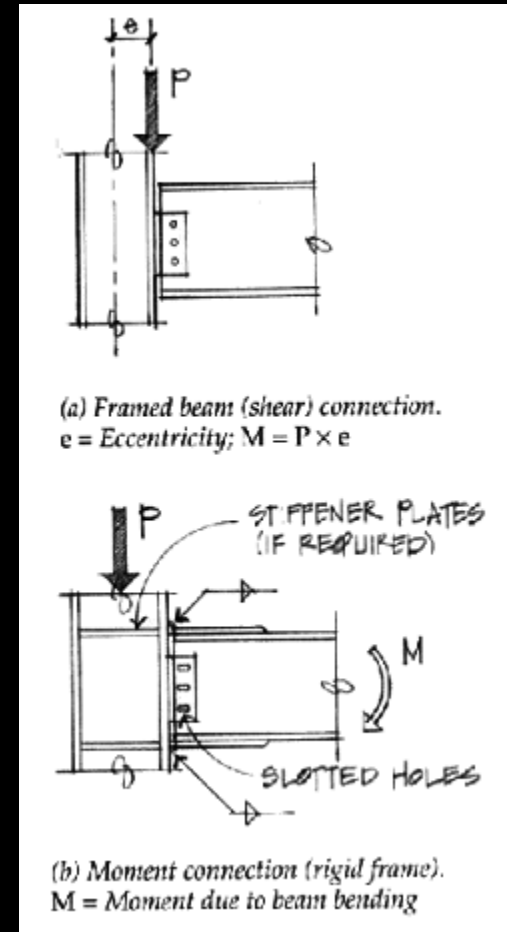
**steel construction:
bolted & welded connections**



nrmc.org

Connections

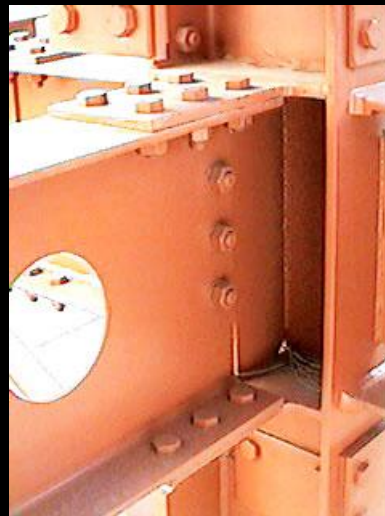
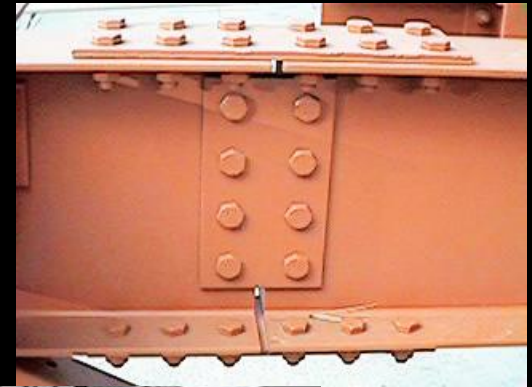
- *needed to:*
 - *support beams by columns*
 - *connect truss members*
 - *splice beams or columns*
- *transfer load*
- *subjected to*
 - *tension or compression*
 - *shear*
 - *bending*



Bolts

- *bolted steel connections*

<http://courses.civil.ualberta.ca>



Welds

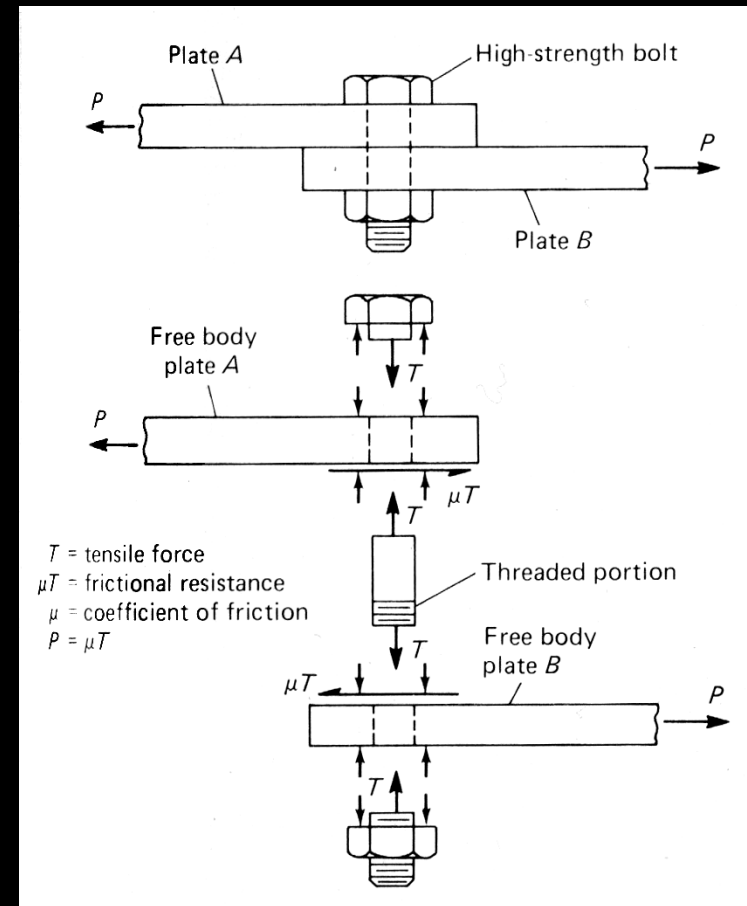
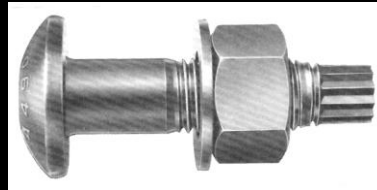
- *welded steel connections*



<http://courses.civil.ualberta.ca>

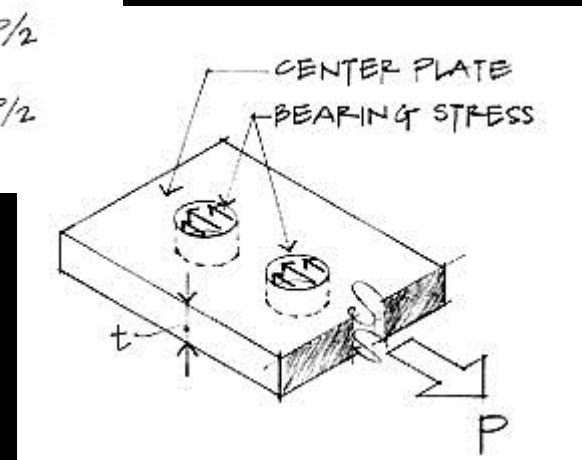
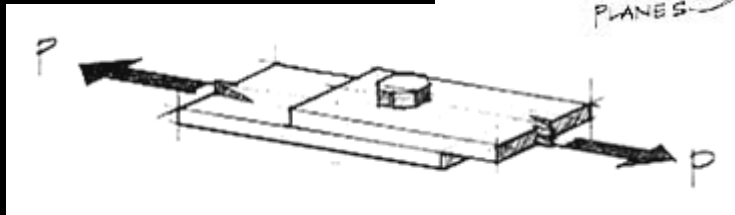
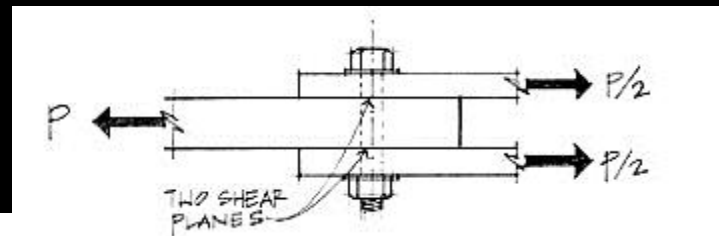
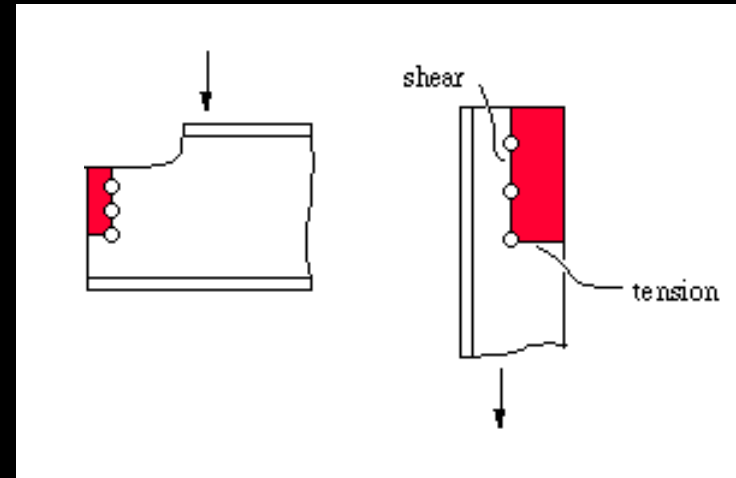
Bolts

- *types*
 - *materials*
 - *high strength*
 - *A307, A325, A490*
 - *location of threads*
 - *included - N*
 - *excluded - X*
 - *friction or bearing (SC)*
 - *always tightened*



Bolted Connection Design

- *considerations*
 - *bearing stress*
 - *yielding*
 - *shear stress*
 - *single & double*
 - *member*
 - *rupture*



Bolts

- *rarely fail in bearing*
- *holes considered 1/8" larger*
- *shear & tension*

$$R_a \leq \frac{R_n}{\Omega} \quad R_u \leq \phi_v R_n$$

– *single shear or tension*

$$\phi_v = 0.75$$

– *double shear*

$$R_n = F_n A_b$$

$$R_n = F_n 2 A_b$$

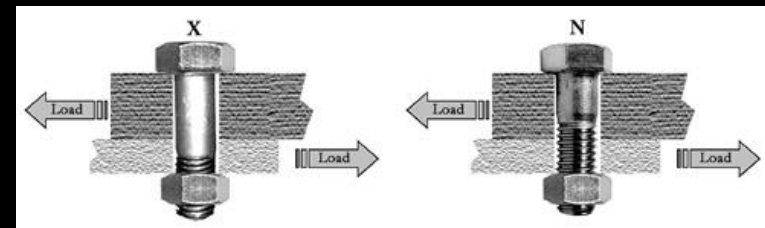
Bolts

**Table 7-1
Available Shear
Strength of Bolts, kips**

Nominal Bolt Diameter, d , in.		$5/8$		$3/4$		$7/8$		1				
Nominal Bolt Area, in. ²		0.307		0.442		0.601		0.785				
ASTM Desig.	Thread Cond.	F_{nv}/Ω (ksi)	ϕF_{nv} (ksi)	Load-ing	r_n/Ω	ϕr_n	r_n/Ω	ϕr_n	r_n/Ω	ϕr_n		
		ASD	LRFD		ASD	LRFD	ASD	LRFD	ASD	LRFD		
Group A	N	27.0	40.5	S	8.29	12.4	11.9	17.9	16.2	24.3	21.2	31.8
		D	16.6	24.9	23.9	35.8	32.5	48.7	42.4	63.6		
Group A	X	34.0	51.0	S	10.4	15.7	15.0	22.5	20.4	30.7	26.7	40.0
		D	20.9	31.3	30.1	45.1	40.9	61.3	53.4	80.1		
Group B	N	34.0	51.0	S	10.4	15.7	15.0	22.5	20.4	30.7	26.7	40.0
		D	20.9	31.3	30.1	45.1	40.9	61.3	53.4	80.1		
Group B	X	42.0	63.0	S	12.9	19.3	18.6	27.8	25.2	37.9	33.0	49.5
		D	25.8	38.7	37.1	55.7	50.5	75.7	65.9	98.9		
A307	-	13.5	20.3	S	4.14	6.23	5.97	8.97	8.11	12.2	10.6	15.9
		D	8.29	12.5	11.9	17.9	16.2	24.4	21.2	31.9		
Nominal Bolt Diameter, d , in.		$1\frac{1}{8}$		$1\frac{1}{4}$		$1\frac{3}{8}$		$1\frac{1}{2}$				
Nominal Bolt Area, in. ²		0.994		1.23		1.48		1.77				
ASTM Desig.	Thread Cond.	F_{nv}/Ω (ksi)	ϕF_{nv} (ksi)	Load-ing	r_n/Ω	ϕr_n	r_n/Ω	ϕr_n	r_n/Ω	ϕr_n		
		ASD	LRFD		ASD	LRFD	ASD	LRFD	ASD	LRFD		
Group A	N	27.0	40.5	S	26.8	40.3	33.2	49.8	40.0	59.9	47.8	71.7
		D	53.7	80.5	66.4	99.6	79.9	120	95.6	143		
Group A	X	34.0	51.0	S	33.8	50.7	41.8	62.7	50.3	75.5	60.2	90.3
		D	67.6	101	83.6	125	101	151	120	181		
Group B	N	34.0	51.0	S	33.8	50.7	41.8	62.7	50.3	75.5	60.2	90.3
		D	67.6	101	83.6	125	101	151	120	181		
Group B	X	42.0	63.0	S	41.7	62.6	51.7	77.5	62.2	93.2	74.3	112
		D	83.5	125	103	155	124	186	149	223		
A307	-	13.5	20.3	S	13.4	20.2	16.6	25.0	20.0	30.0	23.9	35.9
		D	26.8	40.4	33.2	49.9	40.0	60.1	47.8	71.9		
ASD	LRFD	For end loaded connections greater than 38 in., see AISC Specification Table J3.2 footnote b.										
$\Omega = 2.00$	$\phi = 0.75$											

**Table 7-2
Available Tensile
Strength of Bolts, kips**

Nominal Bolt Diameter, d , in.		$5/8$		$3/4$		$7/8$		1			
Nominal Bolt Area, in. ²		0.307		0.442		0.601		0.785			
ASTM Desig.		F_{nt}/Ω (ksi)	ϕF_{nt} (ksi)	r_n/Ω	ϕr_n	r_n/Ω	ϕr_n	r_n/Ω	ϕr_n		
		ASD	LRFD	ASD	LRFD	ASD	LRFD	ASD	LRFD		
Group A		45.0	67.5	13.8	20.7	19.9	29.8	27.1	40.6	35.3	53.0
Group B		56.5	84.8	17.3	26.0	25.0	37.4	34.0	51.0	44.4	66.6
A307		22.5	33.8	6.90	10.4	9.94	14.9	13.5	20.3	17.7	26.5
Nominal Bolt Diameter, d , in.		$1\frac{1}{8}$		$1\frac{1}{4}$		$1\frac{3}{8}$		$1\frac{1}{2}$			
Nominal Bolt Area, in. ²		0.994		1.23		1.48		1.77			
ASTM Desig.		F_{nt}/Ω (ksi)	ϕF_{nt} (ksi)	r_n/Ω	ϕr_n	r_n/Ω	ϕr_n	r_n/Ω	ϕr_n		
		ASD	LRFD	ASD	LRFD	ASD	LRFD	ASD	LRFD		
Group A		45.0	67.5	44.7	67.1	55.2	82.8	66.8	100	79.5	119
Group B		56.5	84.8	56.2	84.2	69.3	104	83.9	126	99.8	150
A307		22.5	33.8	22.4	33.5	27.6	41.4	33.4	50.1	39.8	59.6
ASD	LRFD										
$\Omega = 2.00$	$\phi = 0.75$										



Bolts

- *bearing*

$$R_a \leq \frac{R_n}{\Omega} \quad R_u \leq \phi R_n$$

$\phi = 0.75$

- *deformation is concern*

$$R_n = 1.2 L_c t F_u \leq 2.4 d t F_u$$

- *deformation isn't concern*

$$R_n = 1.5 L_c t F_u \leq 3.0 d t F_u$$

- *long slotted holes*

$$R_n = 1.0 L_c t F_u \leq 2.0 d t F_u$$

L_c – *clear length to edge or next hole (ex. 1¼", 3")*

Bolts

Table 7-5

Available Bearing Strength at Bolt Holes Based on Edge Distance

kips/in. thickness

Hole Type	Edge Distance L_e , in.	F_u , ksi	Nominal Bolt Diameter, d , in.							
			$5/8$		$3/4$		$7/8$		1	
			r_n/Ω	ϕr_n	r_n/Ω	ϕr_n	r_n/Ω	ϕr_n	r_n/Ω	ϕr_n
STD	1 1/4	58	31.5	47.3	29.4	44.0	27.2	40.8	25.0	37.5
		65	35.3	53.0	32.9	49.4	30.5	45.7	28.0	42.0
SSLT	2	58	43.5	65.3	52.2	78.3	53.3	79.9	51.1	76.7
		65	48.8	73.1	58.5	87.8	59.7	89.6	57.3	85.9
SSLP	1 1/4	58	28.3	42.4	26.1	39.2	23.9	35.9	20.7	31.0
		65	31.7	47.5	29.3	43.9	26.8	40.2	23.2	34.7
OVS	1 1/4	58	29.4	44.0	27.2	40.8	25.0	37.5	21.8	32.6
		65	32.9	49.4	30.5	45.7	28.0	42.0	24.4	36.6
LSP	1 1/4	58	16.3	24.5	10.9	16.3	5.44	8.16	—	—
		65	18.3	27.4	12.2	18.3	6.09	9.14	—	—
LSLT	1 1/4	58	26.3	39.4	24.5	36.7	22.7	34.0	20.8	31.3
		65	29.5	44.2	27.4	41.1	25.4	38.1	23.4	35.0
STD, SSLT, SSLP, OVS, LSLP	$L_e \geq L_e \text{ full}$	58	43.5	65.3	52.2	78.3	60.9	91.4	69.6	104
		65	48.8	73.1	58.5	87.8	68.3	102	78.0	117
LSLT	$L_e \geq L_e \text{ full}$	58	36.3	54.4	43.5	65.3	50.8	76.1	58.0	87.0
		65	40.6	60.9	48.8	73.1	56.9	85.3	65.0	97.5
Edge distance for full bearing strength $L_e \geq L_e \text{ full}$, in.		STD, SSLT, LSLT	$1^{5/8}$		$1^{15/16}$		$2^{1/4}$		$2^{9/16}$	
		OVS	$1^{11/16}$		2		$2^{5/16}$		$2^{5/8}$	
		SSLP	$1^{11/16}$		2		$2^{5/16}$		$2^{11/16}$	
		LSLP	$2^{1/16}$		$2^{7/16}$		$2^{7/8}$		$3^{1/4}$	

STD = standard hole
 SSLT = short-slotted hole oriented transverse to the line of force
 SSLP = short-slotted hole oriented parallel to the line of force
 OVS = oversized hole
 LSP = long-slotted hole oriented parallel to the line of force
 LSLT = long-slotted hole oriented transverse to the line of force

Table 7-3 (continued)
Slip-Critical Connections
 Available Shear Strength, kips
 (Class A Faying Surface, $\mu = 0.30$)

Group B Bolts

		Group B Bolts							
Hole Type	Loading	Nominal Bolt Diameter, d , in.							
		$5/8$		$3/4$		$7/8$		1	
		Minimum Group B Bolt Pretension, kips							
		24		35		49		64	
		r_n/Ω	ϕr_n	r_n/Ω	ϕr_n	r_n/Ω	ϕr_n	r_n/Ω	ϕr_n
		ASD	LRFD	ASD	LRFD	ASD	LRFD	ASD	LRFD
STD/SSLT	S	5.42	8.14	7.91	11.9	11.1	16.6	14.5	21.7
	D	10.8	16.3	15.8	23.7	22.1	33.2	28.9	43.4
OVS/SSLP	S	4.62	6.92	6.74	10.1	9.44	14.1	12.3	18.4
	D	9.25	13.8	13.5	20.2	18.9	28.2	24.7	36.9
LSL	S	3.80	5.70	5.54	8.31	7.76	11.6	10.1	15.2
	D	7.60	11.4	11.1	16.6	15.5	23.3	20.3	30.4
		Nominal Bolt Diameter, d , in.							
		$1^{1/8}$		$1^{1/4}$		$1^{3/8}$		$1^{1/2}$	
		Minimum Group B Bolt Pretension, kips							
		80		102		121		148	
		r_n/Ω	ϕr_n	r_n/Ω	ϕr_n	r_n/Ω	ϕr_n	r_n/Ω	ϕr_n
		ASD	LRFD	ASD	LRFD	ASD	LRFD	ASD	LRFD
STD/SSLT	S	18.1	27.1	23.1	34.6	27.3	41.0	33.4	50.2
	D	36.2	54.2	46.1	69.2	54.7	82.0	66.9	100
OVS/SSLP	S	15.4	23.1	19.6	29.4	23.3	34.9	28.5	42.6
	D	30.8	46.1	39.3	58.8	46.6	69.7	57.0	85.3
LSL	S	12.7	19.0	16.2	24.2	19.2	28.7	23.4	35.1
	D	25.3	38.0	32.3	48.4	38.3	57.4	46.9	70.2

STD = standard hole
 OVS = oversized hole
 SSLT = short-slotted hole transverse to the line of force
 SSLP = short-slotted hole parallel to the line of force
 LSL = long-slotted hole transverse or parallel to the line of force

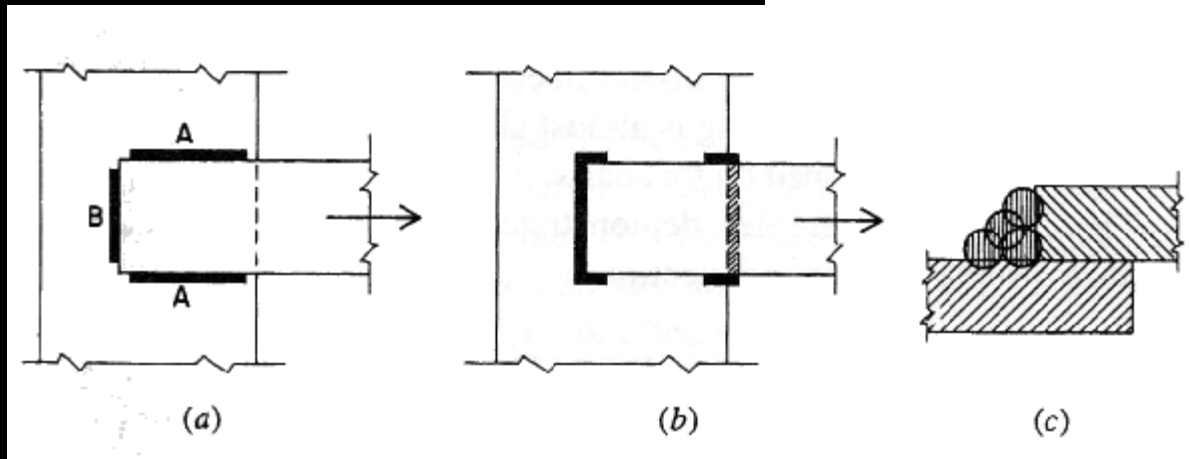
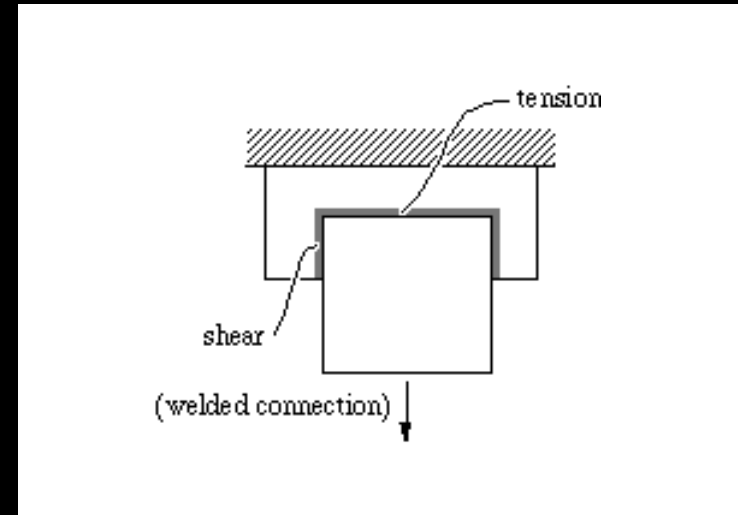
S = single shear
 D = double shear

Note: Slip-critical bolt values assume no more than one filler has been provided or bolts have been added to distribute loads in the fillers.
 See AISC Specification Sections J3.8 and J5 for provisions when fillers are present.

Hole Type	ASD	LRFD
STD and SSLT	$\Omega = 1.50$	$\phi = 1.00$

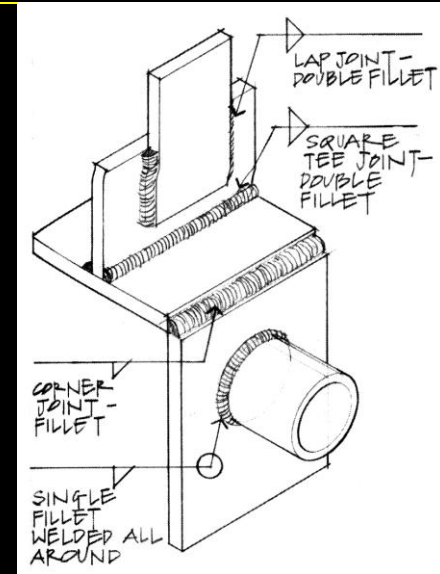
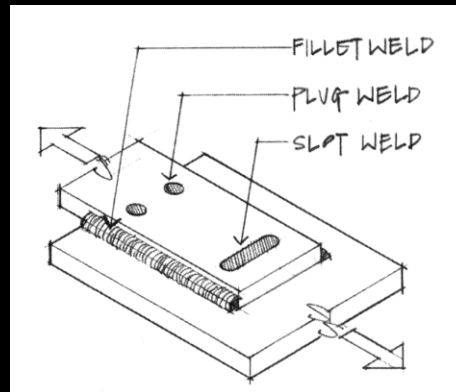
Welded Connection Design

- *considerations*
 - *shear stress*
 - *yielding*
 - *rupture*

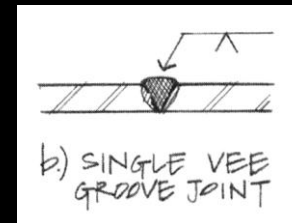


Welded Connection Design

- *weld terms*
 - *butt weld*
 - *fillet weld*
 - *plug weld*
 - *throat*
- *field welding*
- *shop welding*

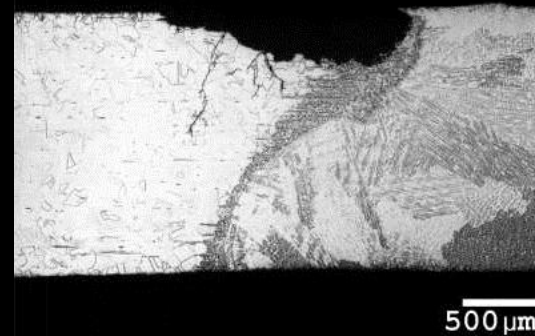


(AISC - Steel Structures of the Everyday)



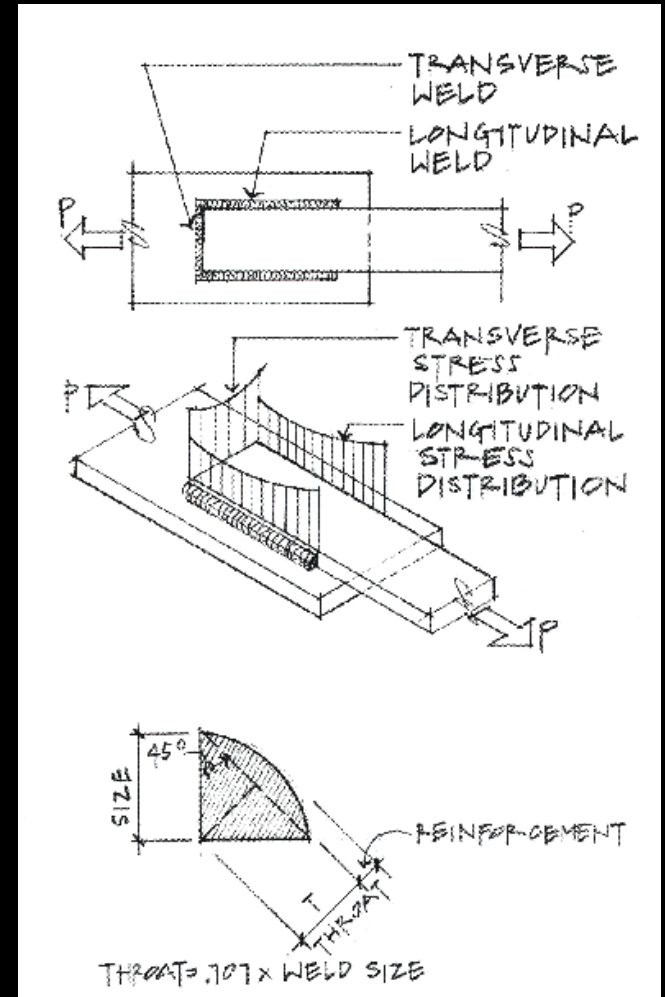
Welded Connection Design

- *weld process*
 - *melting of material*
 - *melted filler - electrode*
 - *shielding gas / flux*
 - *potential defects*
- *weld materials*
 - *E60XX*
 - *E70XX*
 - $F_{EXX} = 70 \text{ ksi}$



Welded Connection Design

- *shear failure assumed*
- *throat*
 - $T = 0.707 \times \text{weld size}$
- *area*
 - $A = T \times \text{length of weld}$
- *weld metal generally stronger than base metal (ex. $F_y = 50 \text{ ksi}$)*



Welded Connection Design

- *minimum*
 - *table*
- *maximum*
 - *material thickness (to 1/4")*
 - *1/16" less*
- *min. length*
 - *4 x size min.*
 - *≥ 1 1/2"*

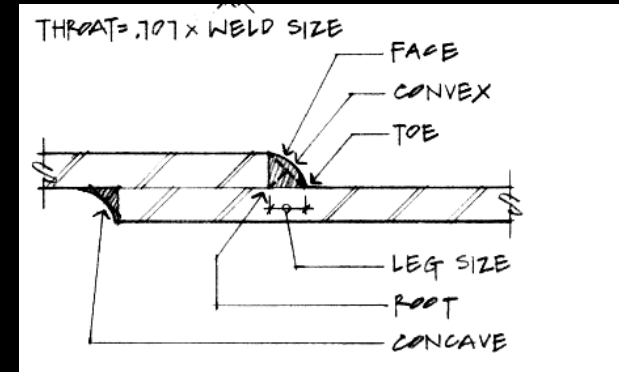


TABLE J2.4
Minimum Size of Fillet Welds

Material Thickness of Thicker Part Joined, in. (mm)	Minimum Size of Fillet Weld[a] in. (mm)
To 1/4 (6) inclusive	1/8 (3)
Over 1/4 (6) to 1/2 (13)	3/16 (5)
Over 1/2 (13) to 3/4 (19)	1/4 (6)
Over 3/4 (19)	5/16 (8)

[a] Leg dimension of fillet welds. Single pass welds must be used.
[b] See Section J2.2c for maximum size of fillet welds.

Welded Connection Design

- shear

$$R_a \leq \frac{R_n}{\Omega} \quad R_u \leq \phi R_n$$

$$\phi = 0.75$$

$$R_n = 0.6 F_{EXX} \underbrace{t l}_{\text{area}} = S l$$

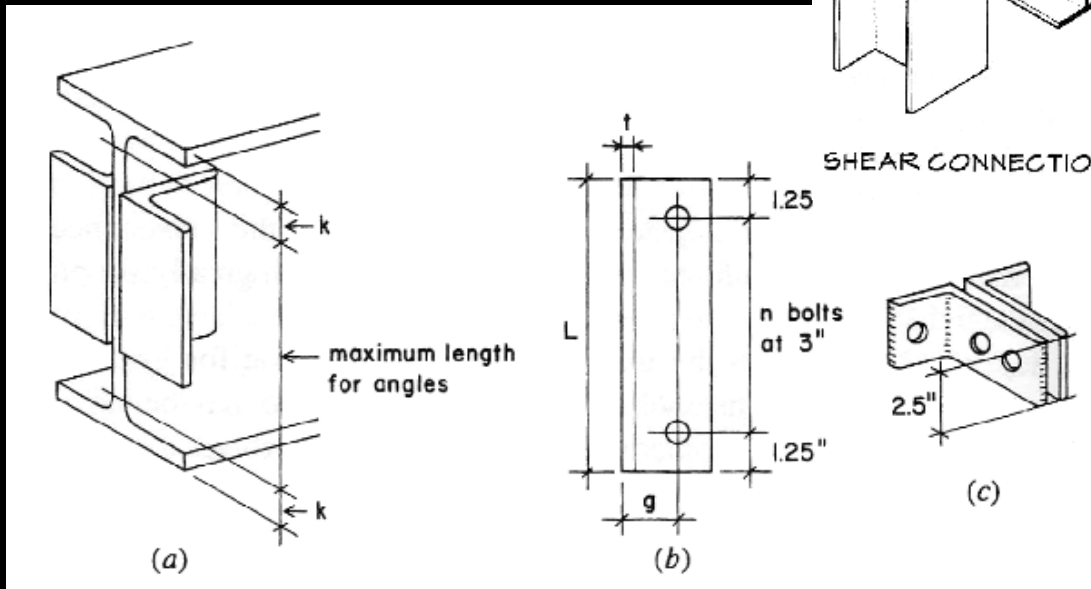
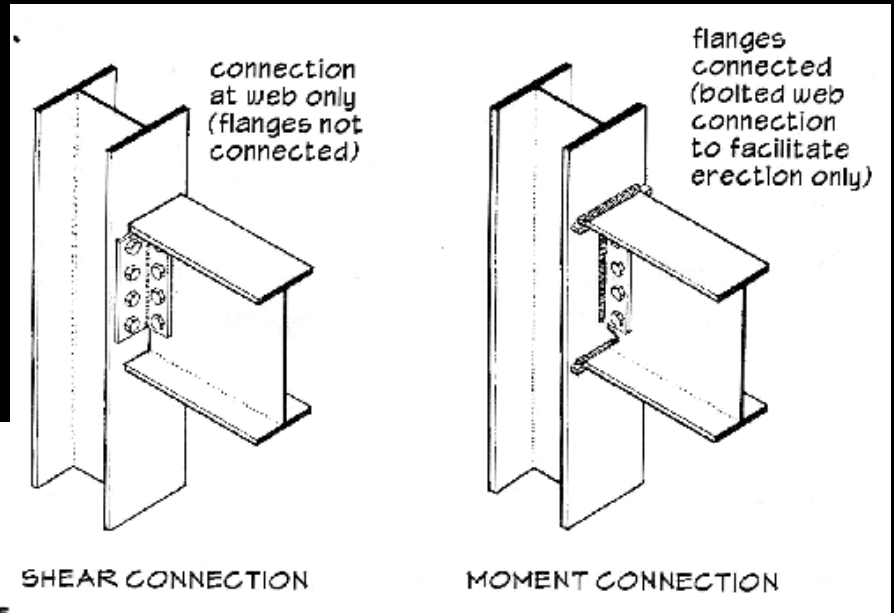
– table for ϕS

Available Strength of Fillet Welds per inch of weld (ϕS)		
Weld Size (in.)	E60XX (k/in.)	E70XX (k/in.)
$\frac{3}{16}$	3.58	4.18
$\frac{1}{4}$	4.77	5.57
$\frac{5}{16}$	5.97	6.96
$\frac{3}{8}$	7.16	8.35
$\frac{7}{16}$	8.35	9.74
$\frac{1}{2}$	9.55	11.14
$\frac{5}{8}$	11.93	13.92
$\frac{3}{4}$	14.32	16.70

(not considering increase in throat with submerged arc weld process)

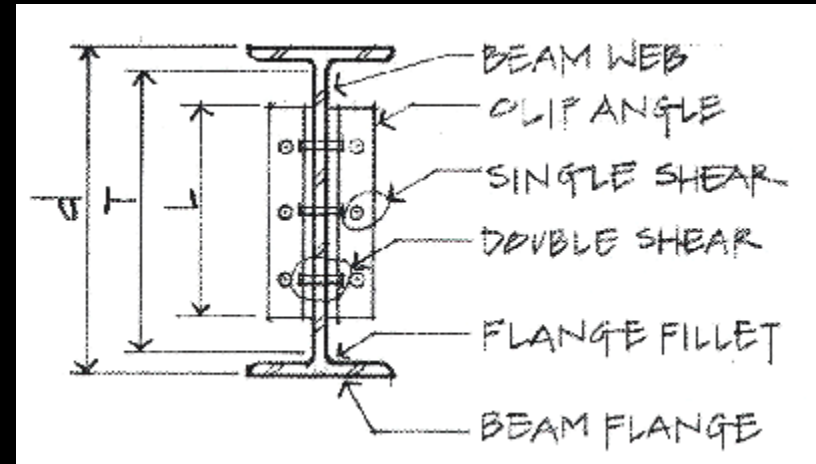
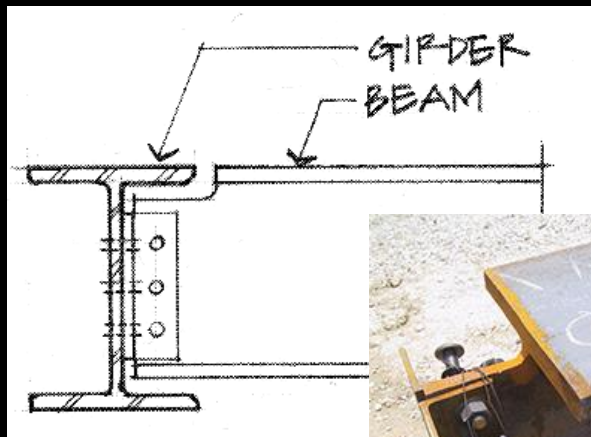
Framed Beam Connections

- *angles*
 - *bolted*
 - *welded*



Framed Beam Connections

- terms
 - coping



(AISC - Steel Structures of the Everyday)

Framed Beam Connection

- tables for standard bolt sizes & spacings
- # bolts
- bolt diameter, angle leg thickness
- bearing on beam web

Beam		Table 10-1 (continued)											
		All-Bolted Double-Angle Connections										3/4-in. Bolts	
Angle		Bolt and Angle Available Strength, kips											
4 Rows		Bolt Group	Thread Cond.	Hole Type	Angle Thickness, in.								
W24, 21, 18, 16					1/4		5/16		3/8		1/2		
					ASD	LRFD	ASD	LRFD	ASD	LRFD	ASD	LRFD	
	Group A	N	STD	67.1	101	83.9	126	95.5	143	95.5	143		
		X	STD	67.1	101	83.9	126	101	151	120	180		
		SC Class A	STD	50.6	75.9	50.6	75.9	50.6	75.9	50.6	75.9		
			OVS	43.1	64.5	43.1	64.5	43.1	64.5	43.1	64.5		
		SC Class B	STD	50.6	75.9	50.6	75.9	50.6	75.9	50.6	75.9		
			OVS	43.1	64.5	43.1	64.5	43.1	64.5	43.1	64.5		
	Group B	N	STD	67.1	101	83.9	126	101	151	120	180		
		X	STD	67.1	101	83.9	126	101	151	134	201		
		SC Class A	STD	63.3	94.9	63.3	94.9	63.3	94.9	63.3	94.9		
			OVS	53.9	80.7	53.9	80.7	53.9	80.7	53.9	80.7		
		SC Class B	STD	63.3	94.9	63.3	94.9	63.3	94.9	63.3	94.9		
			OVS	53.9	80.7	53.9	80.7	53.9	80.7	53.9	80.7		
Beam Web Available Strength per Inch Thickness, kips/in.													
Hole Type		STD				OVS				SSLT			
		L _{eh} ^a , in.											
L _{ev} , in.		1 1/2		1 3/4		1 1/2		1 3/4		1 1/2		1 3/4	
		ASD	LRFD	ASD	LRFD	ASD	LRFD	ASD	LRFD	ASD	LRFD	ASD	LRFD
Coped at Top Flange Only	1 1/4	167	250	175	262	156	234	164	246	164	245	172	257
	1 3/8	169	254	177	266	158	238	167	250	166	249	174	261
	1 1/2	171	257	180	269	161	241	169	254	168	253	177	265
	1 5/8	174	261	182	273	163	245	171	257	171	256	179	268
	2	181	272	189	284	171	256	179	268	178	267	186	279
Coped at Both Flanges	1 1/4	156	234	156	234	146	219	146	219	156	234	156	234
	1 3/8	161	241	161	241	151	227	151	227	161	241	161	241
	1 1/2	166	249	166	249	156	234	156	234	166	249	166	249
	1 5/8	171	256	171	256	161	241	161	241	171	256	171	256
	2	181	272	185	278	171	256	176	263	178	267	185	278
Uncoped	3	201	301	209	313	190	285	198	297	198	296	206	309
		234	351	234	351	234	351	234	351	234	351	234	351
Support Available Strength per Inch Thickness, kips/in.		Notes: STD = Standard holes OVS = Oversized holes SSLT = Short-slotted holes transverse to direction of load N = Threads included X = Threads excluded SC = Slip critical											
Hole Type	ASD	LRFD	* Tabulated values include 1/4-in. reduction in end distance, L _{eh} , to account for possible underrun in beam length.										
STD/OVS/SSLT	468	702	Note: Slip-critical bolt values assume no more than one filler has been provided or bolts have been added to distribute loads in the fillers.										

Framed Beam Connections

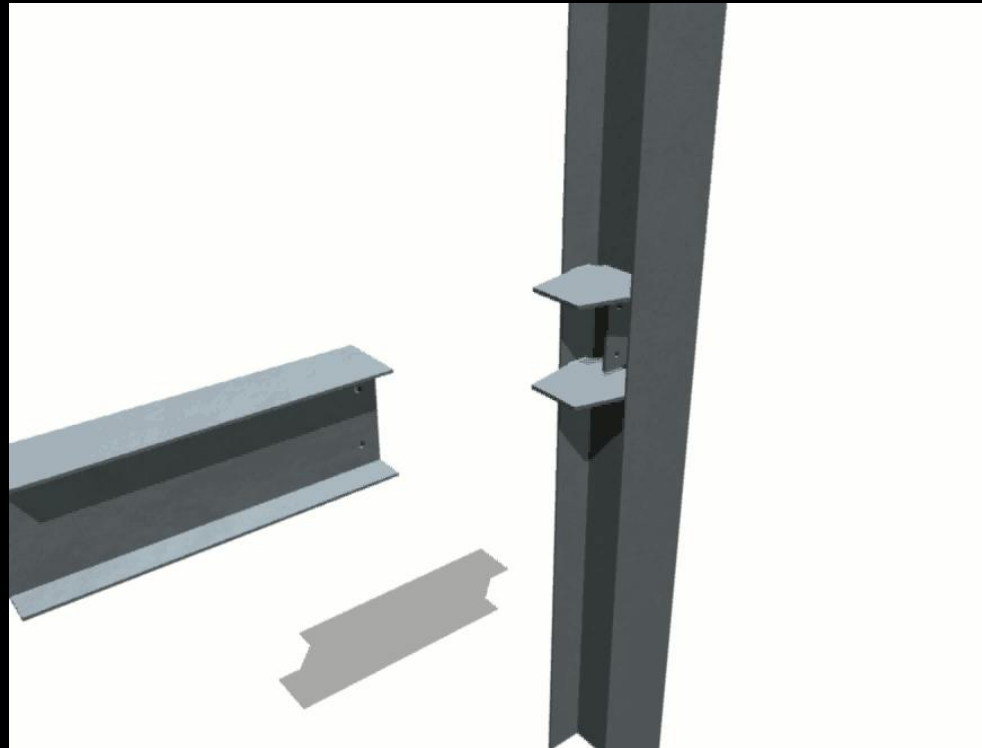
- *welded example (shear)*



(AISC - Steel Structures of the Everyday)

Framed Beam Connections

- *welded moment example*



(AISC - Steel Structures of the Everyday)

Framed Beam Connections

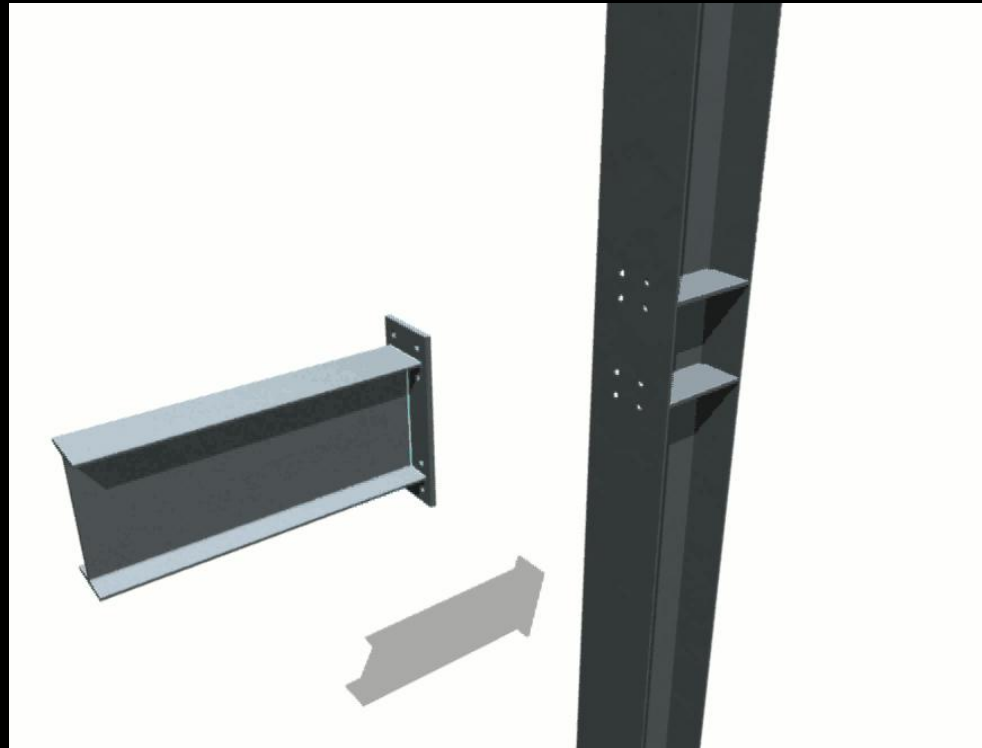
- *welded/bolted moment example*



(AISC - Steel Structures of the Everyday)

Framed Beam Connections

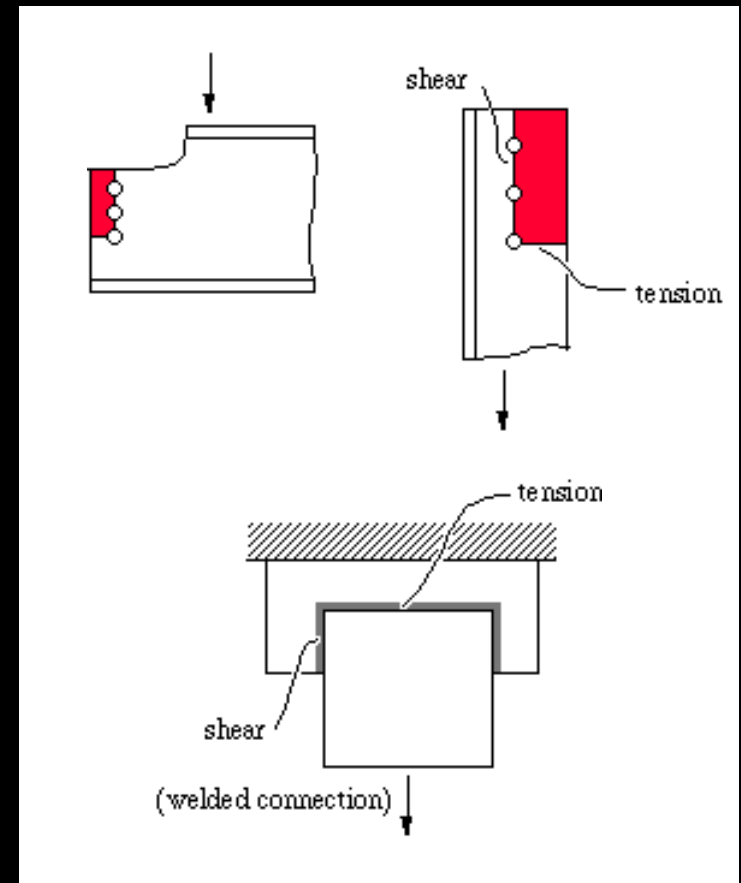
- *welded/bolted moment example*



(AISC - Steel Structures of the Everyday)

Beam Connections

- *LRFD provisions*
 - *shear yielding*
 - *shear rupture*
 - *block shear rupture*
 - *tension yielding*
 - *tension rupture*
 - *local web buckling*
 - *lateral torsional buckling*



Beam Connections

$$\phi = 0.75$$

$$R_n = 0.6 F_u A_{nv} + U_{bs} F_u A_{nt} \leq 0.6 F_y A_{gv} + U_{bs} F_u A_{nt}$$

– where U_{bs} is 1 for uniform tensile stress



Figure 2-1. Block Shear Rupture Limit State
(Photo by J.A. Swanson and R. Leon, courtesy of Georgia Institute of Technology)

block shear rupture

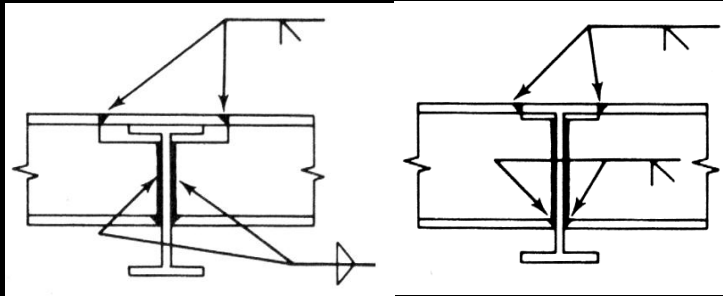
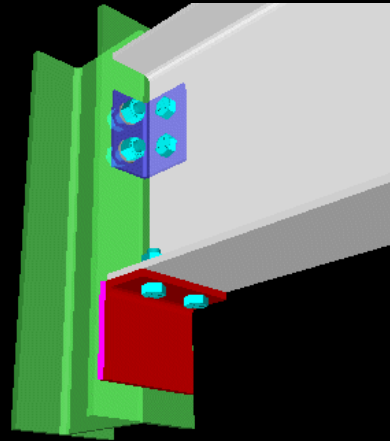


Figure 2-14. Tension Fracture Limit State
(Photo by J.A. Swanson and R. Leon, courtesy of Georgia Institute of Technology)

tension rupture

Other Connections

- *seated beam*
- *continuous*
 - *beam to column*
 - *beam to beam*



Other Connections

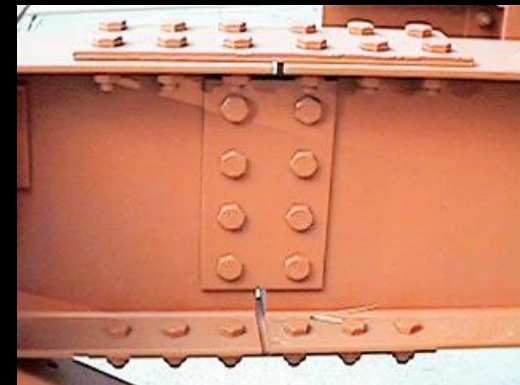
- *splices*



The Royal Ontario Museum Toronto, Canada
Daniel Libeskind
(AISC - Steel Structures of the Everyday)



Architectural Structures
ARCH 331



<http://courses.civil.ualberta.ca>

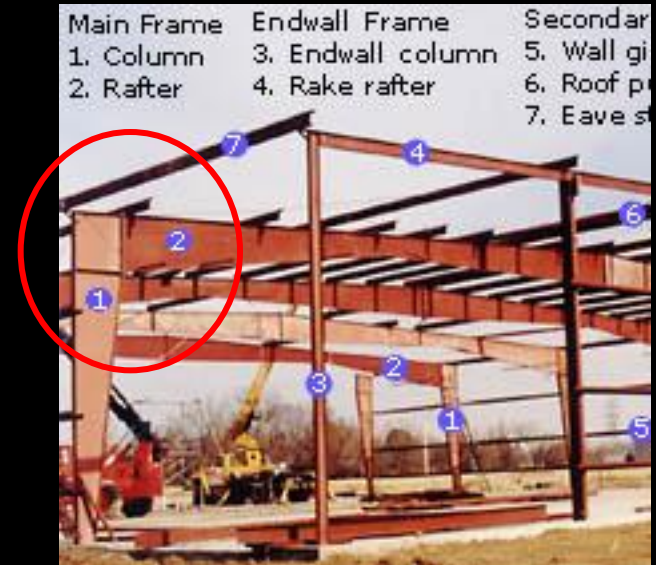
F2013abn

Other Connections

- *rigid frame knees*
- *gussets & joints*



(AISC - Steel Structures of the Everyday)



Other Connections

- *base plates*
 - *anchor bolts*
 - *bearing on steel*
 - *bending of plate*



<http://courses.civil.ualberta.ca>

