

**ARCHITECTURAL STRUCTURES:
FORM, BEHAVIOR, AND DESIGN**

ARCH 331

DR. ANNE NICHOLS

FALL 2013

lecture
elev*en*

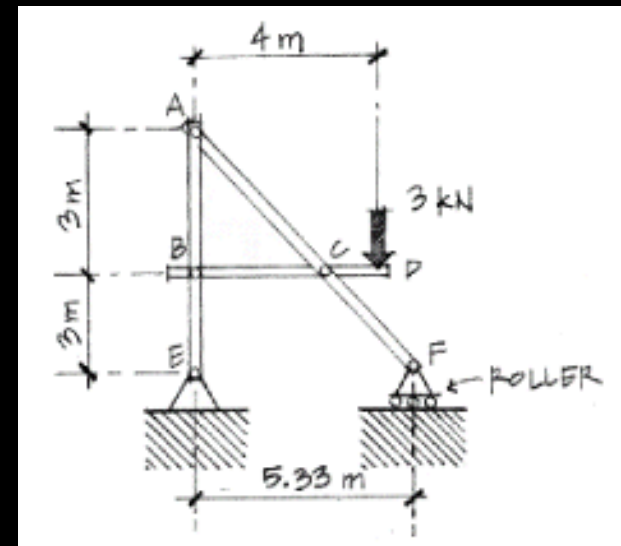
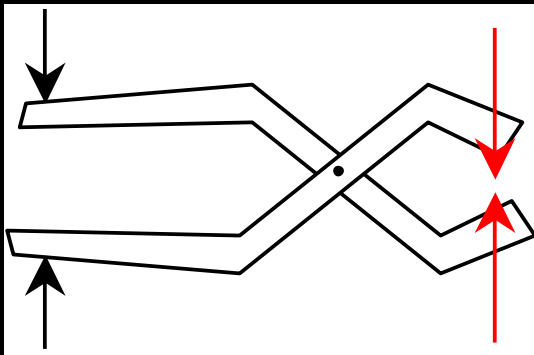
**other beams &
pinned frames**



Continental train platform, Grimshaw 1993

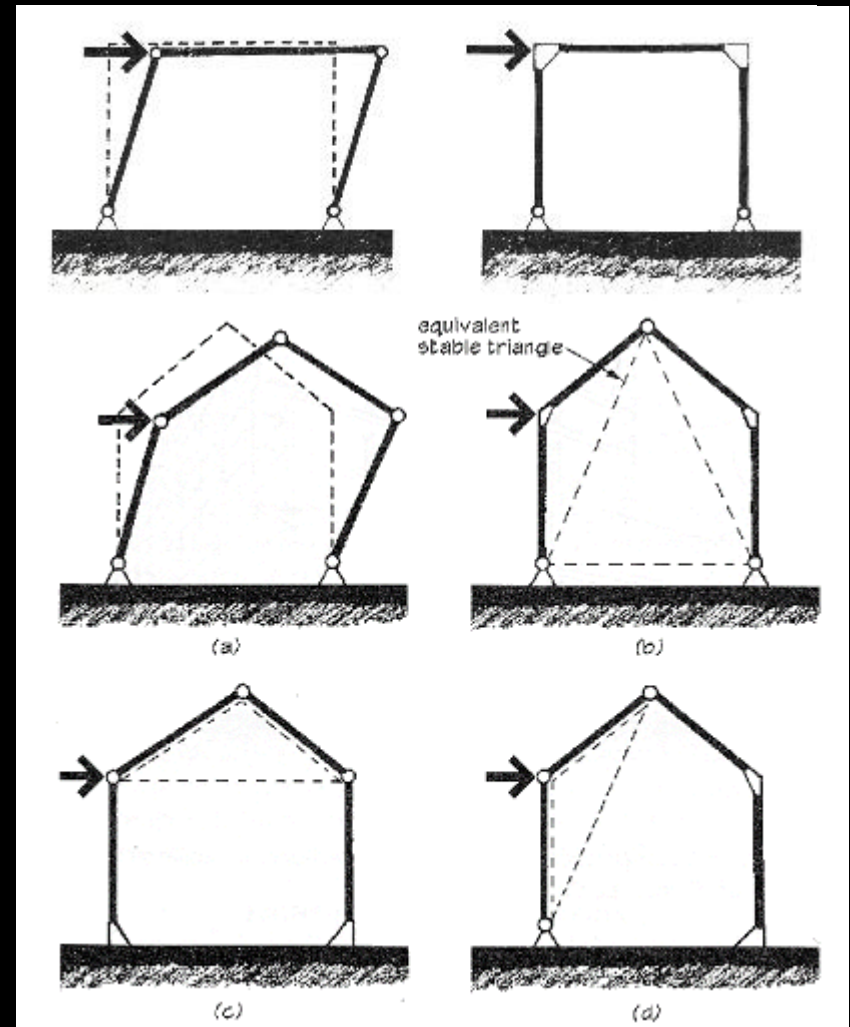
Pinned Frames

- structures with at least one 3 force body
- connected with pins
- reactions are equal and opposite
 - non-rigid
 - rigid



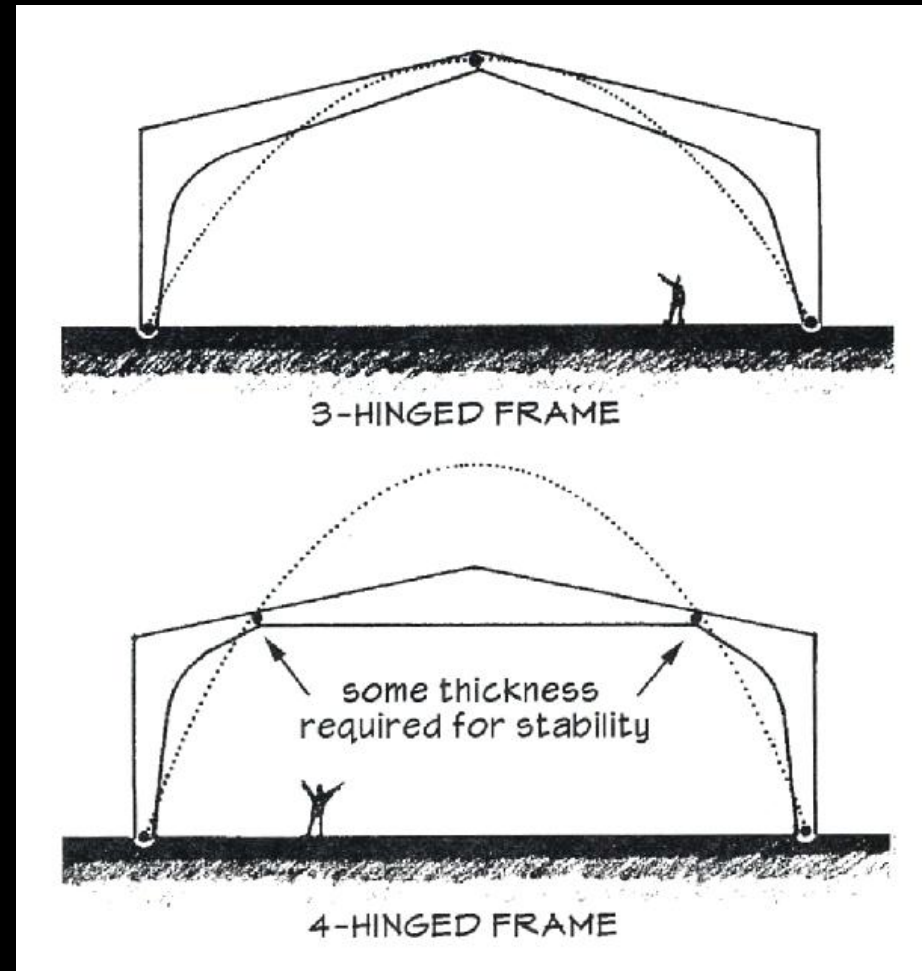
Rigid Frames

- rigid frames have no pins
- frame is all one body
- typically statically indeterminate
- types
 - portal
 - gable



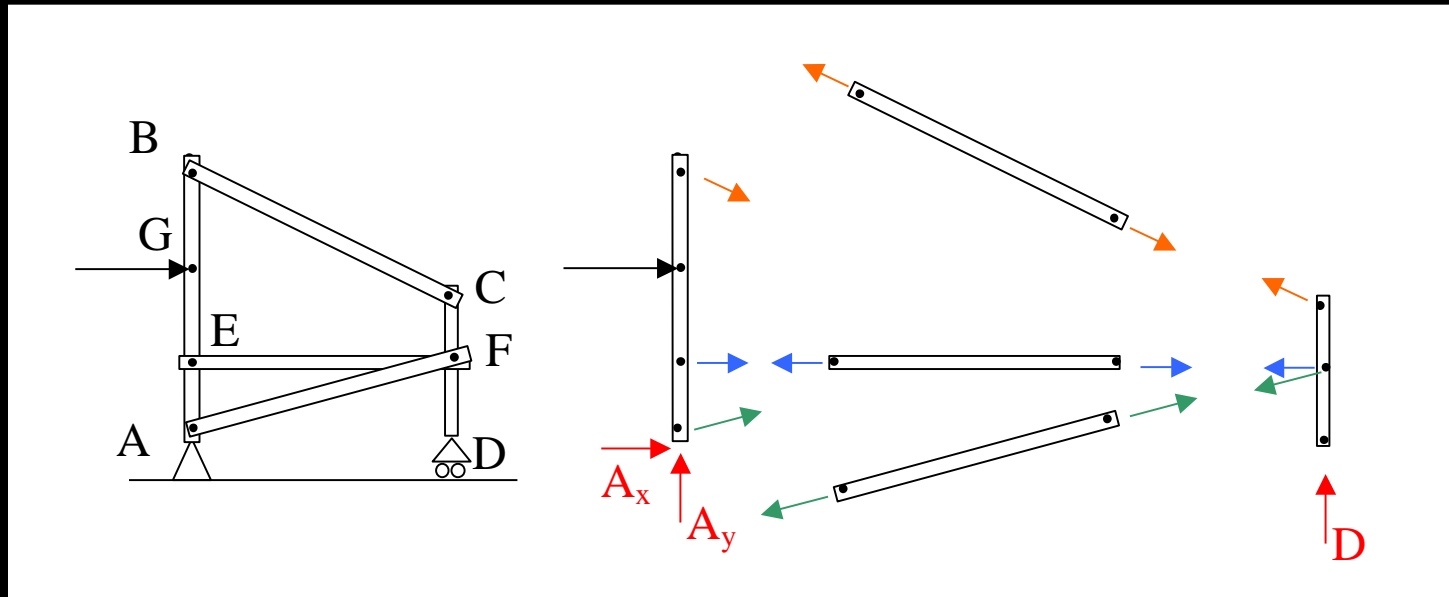
Rigid Frames with PINS

- *frame pieces with connecting pins*
- *not necessarily symmetrical*



Internal Pin Connections

- *statically determinant*
 - 3 equations per body
 - 2 reactions per pin + support forces



Arches

- *ancient*
- *traditional shape to span long distances*



Rainbow Bridge National Monument



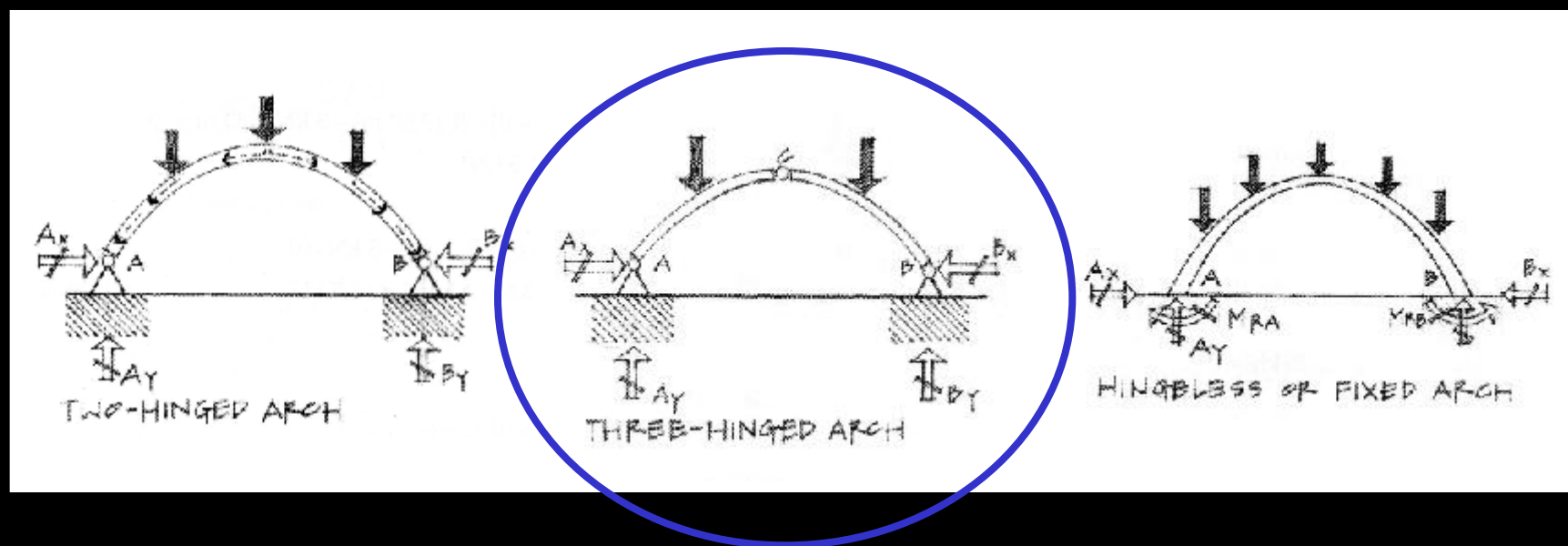
Packhorse Bridge, UK



Roman Aquaducts

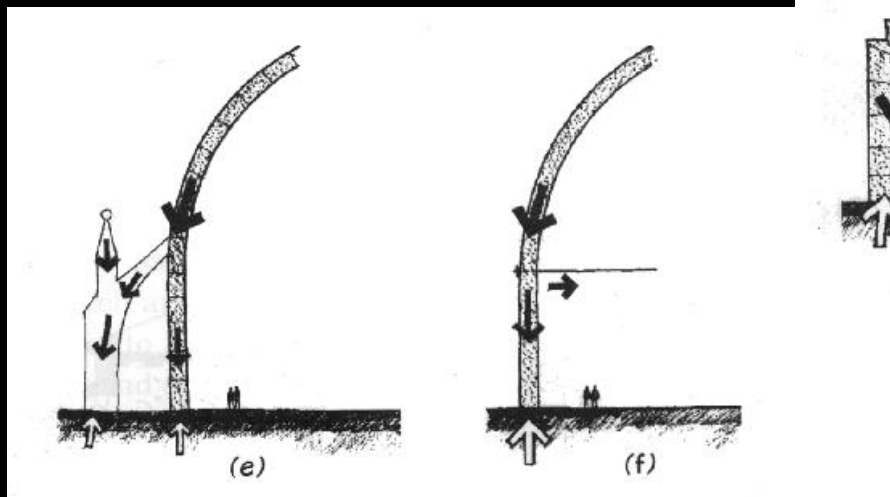
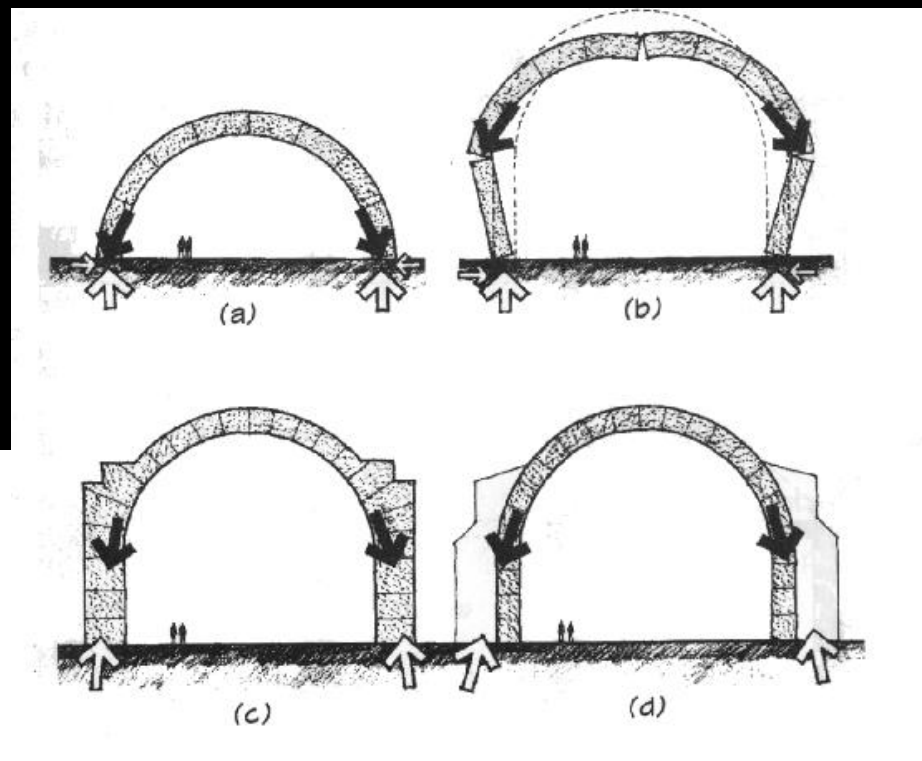
Arches

- primarily sees compression
- a brick “likes an arch”



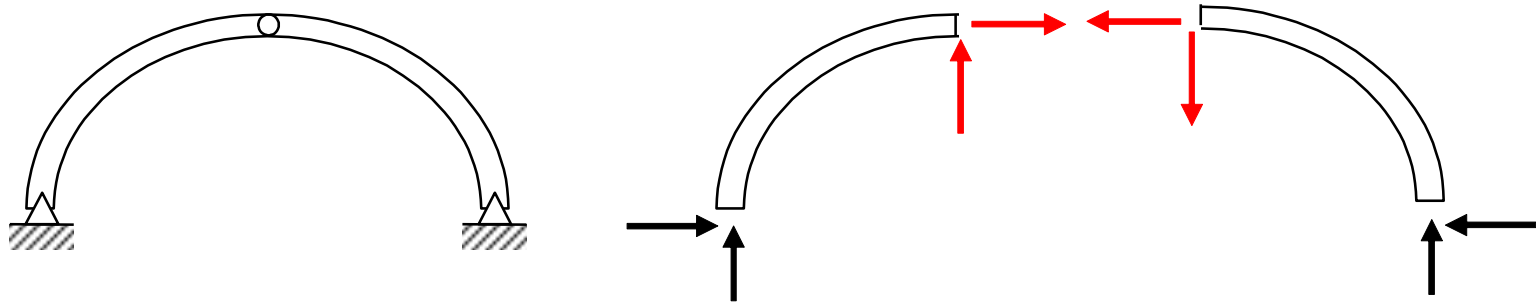
Arches

- *behavior*
 - *thrust related to height to width*



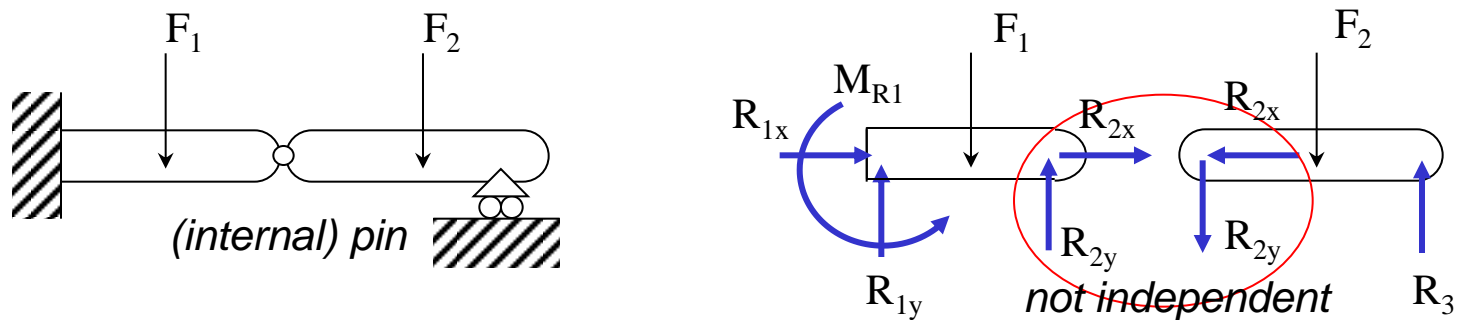
Three-Hinged Arch

- *statically determinant*
 - 2 bodies, 6 equilibrium equations
 - 4 support, 2 pin reactions (= 6)



Compound Beams

- *statically determinant when*
 - 3 equilibrium equations per link =>
 - total of support & pin reactions (properly constrained)
- *zero moment at pins*

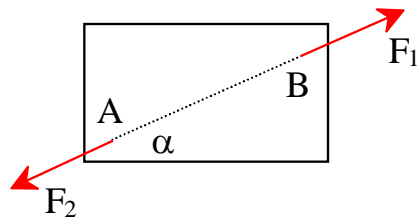


Procedure

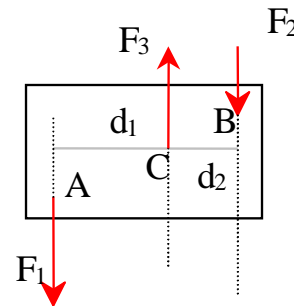
- *solve for all support forces you can*
- *draw a FBD of each member*
 - *pins are integral with member*
 - *pins with loads should belong to 3+ force bodies*
 - *pin forces are equal and opposite on connecting bodies*
 - *identify 2 force bodies vs. 3+ force bodies*
 - *use all equilibrium equations*

Rigid Body Types

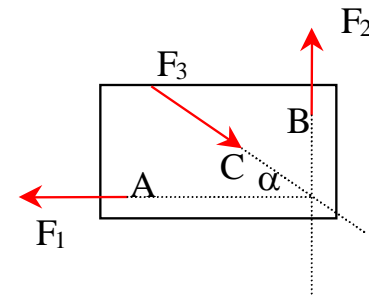
- *two force bodies*
 - forces in line, equal and opposite
- *three force bodies*
 - concurrent or parallel forces



two



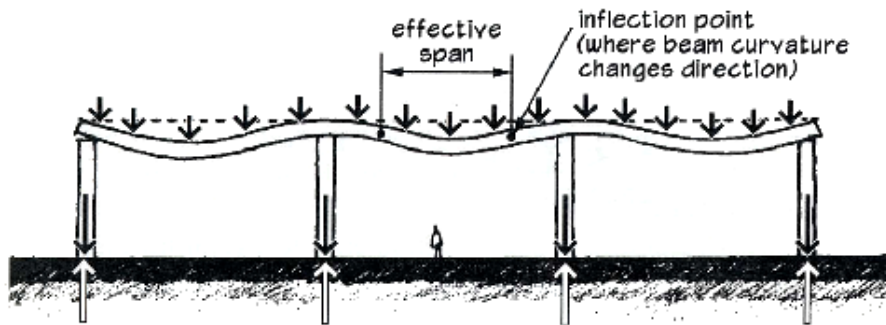
three



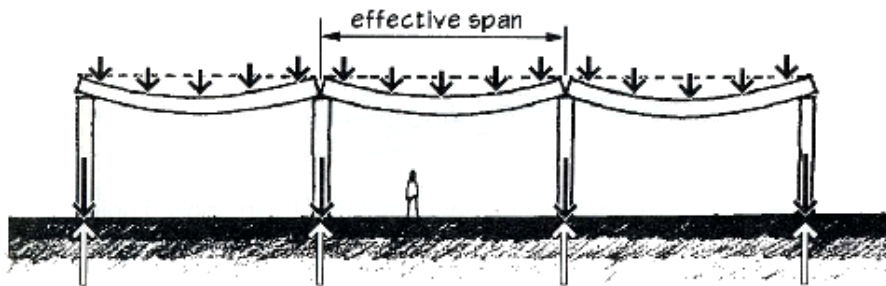
three

Continuous Beams

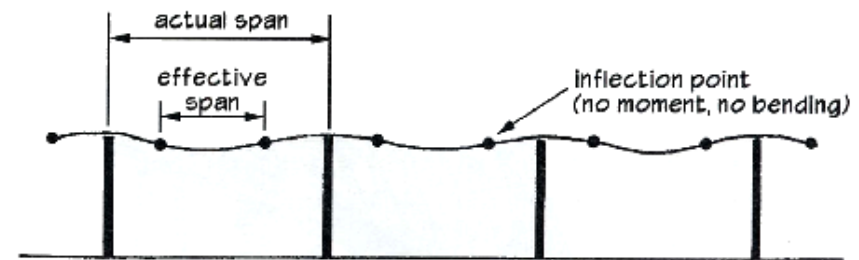
- *statically indeterminate*
- *reduced moments than simple beam*



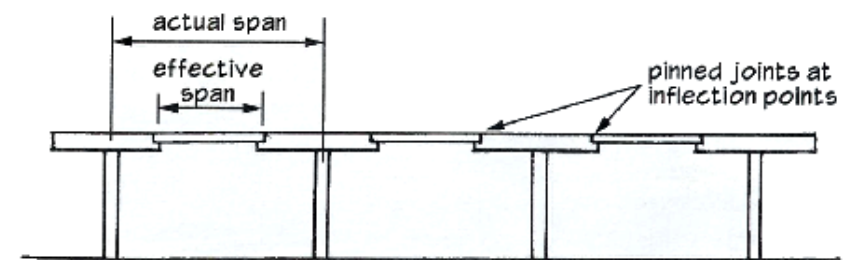
(a) CONTINUOUS BEAM



(b) SIMPLE BEAM



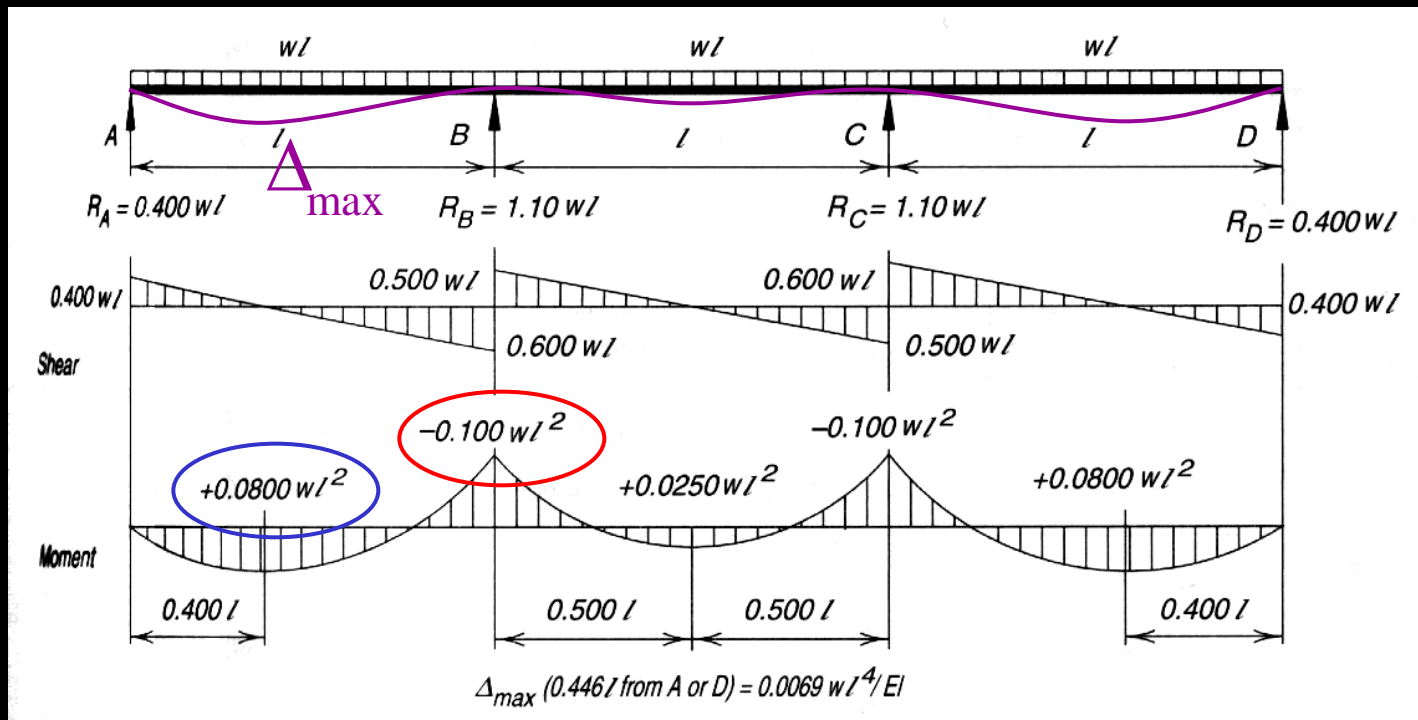
CONTINUOUS BEAMS (deflection diagram)



GERBER BEAMS

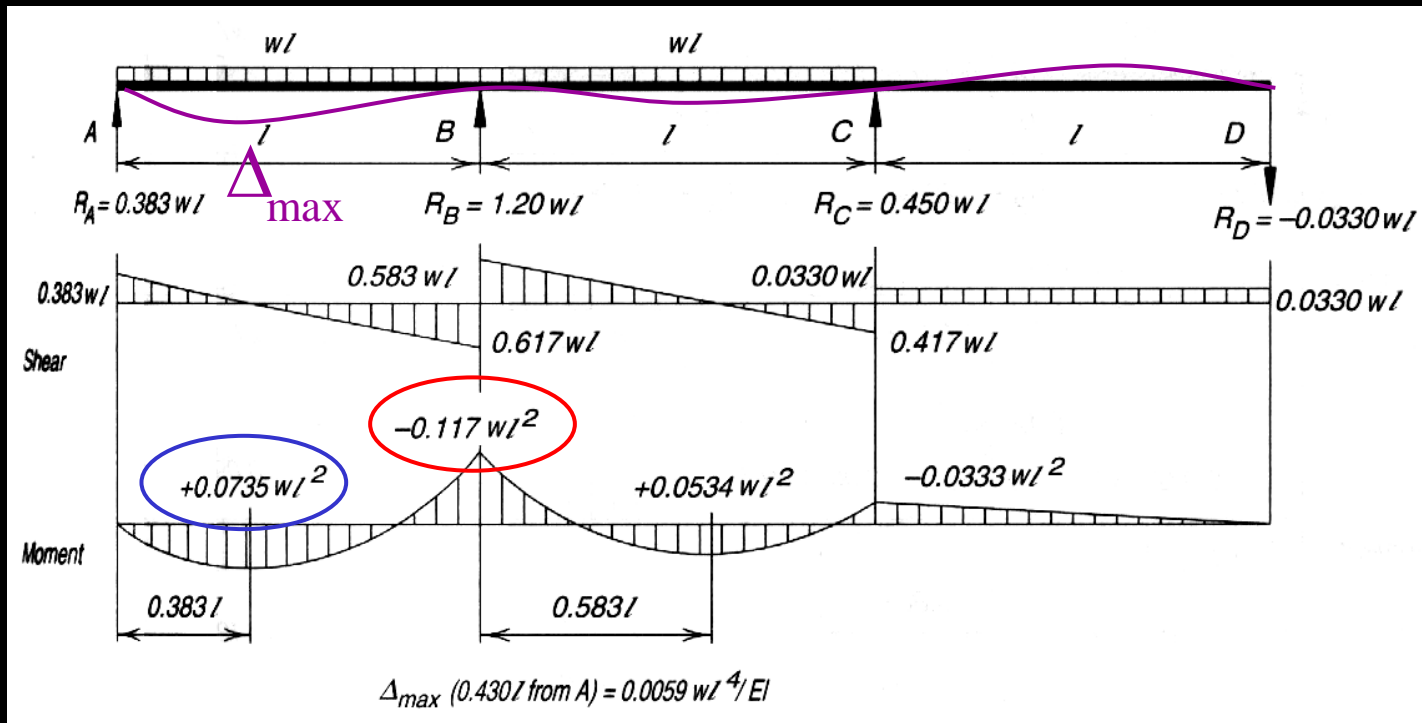
Continuous Beams

- loading pattern affects
 - moments & deflection



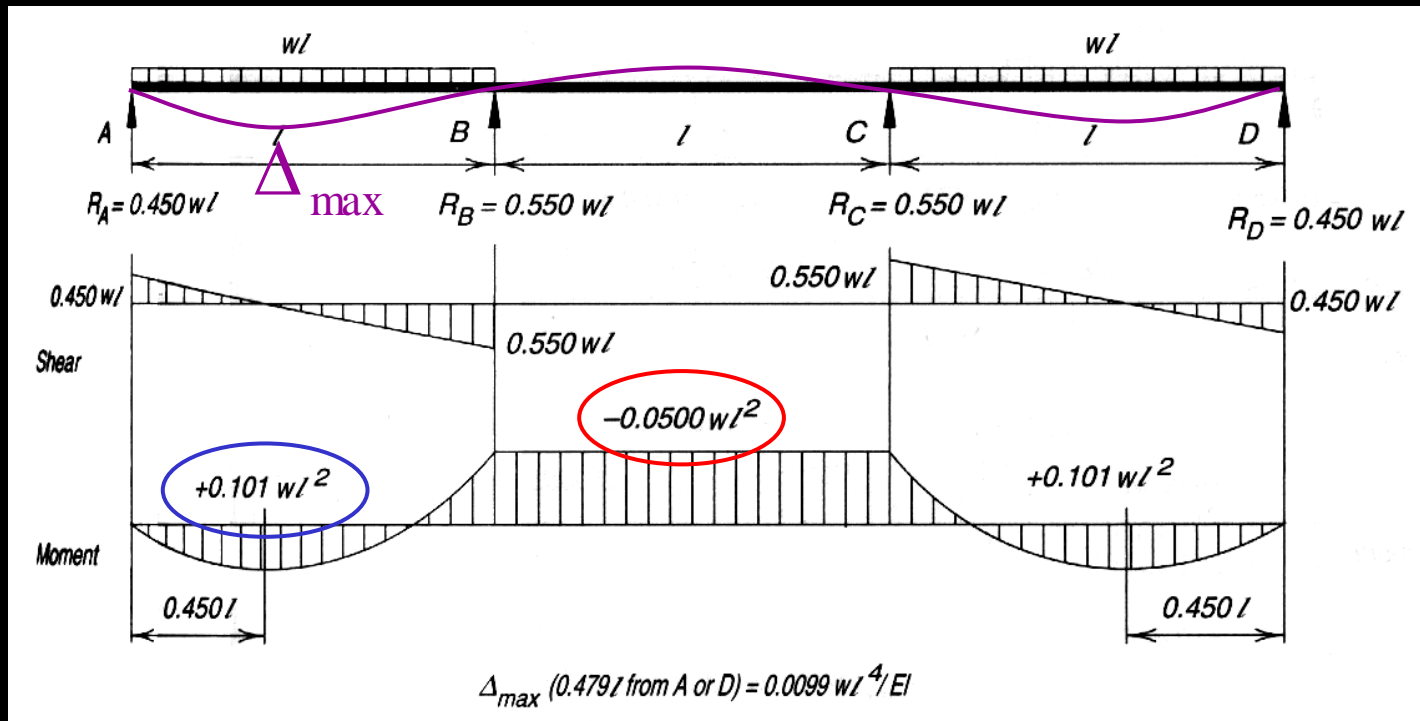
Continuous Beams

- *unload end span*



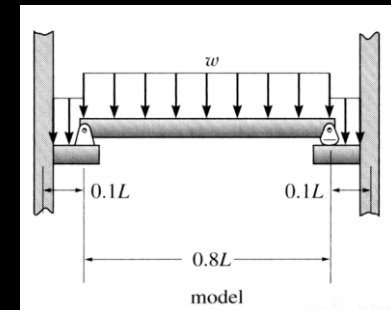
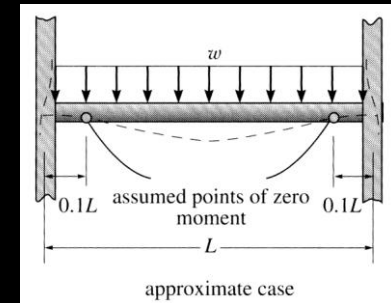
Continuous Beams

- *unload middle span*



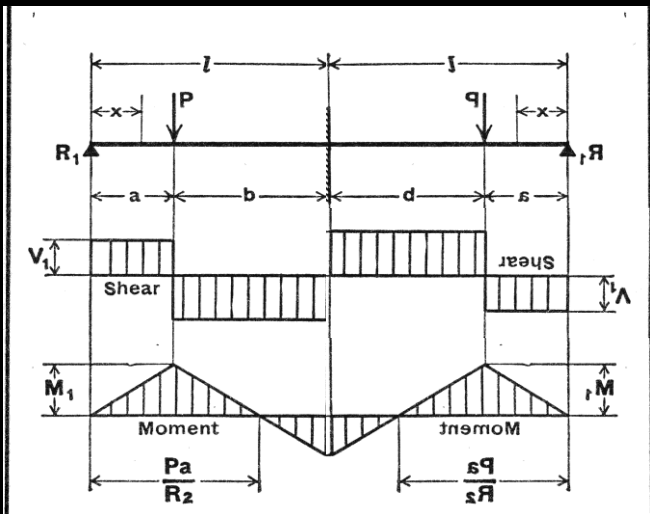
Analysis Methods

- *Approximate Methods*
 - *location of inflection points*
- *Force Method*
 - *forces are unknowns*
- *Displacement Method*
 - *displacements are unknowns*

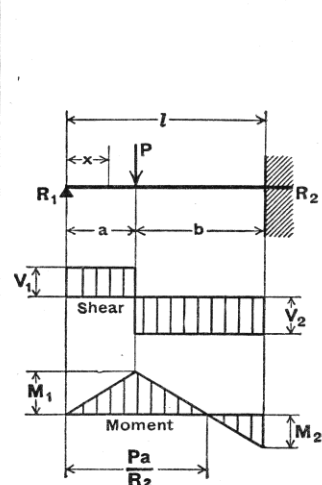


Two Span Beams & Charts

- equal spans & symmetrical loading
- middle support as flat slope



14. BEAM FIXED AT ONE END, SUPPORTED AT OTHER— CONCENTRATED LOAD AT ANY POINT



$$R_1 = V_1 \dots \dots \dots = \frac{Pb^2}{2l^3} (a + 2l)$$

$$R_2 = V_2 \dots \dots \dots = \frac{Pa}{2l^3} (3l^2 - a^2)$$

$$M_1 \text{ (at point of load)} \dots \dots \dots = R_1 a$$

$$M_2 \text{ (at fixed end)} \dots \dots \dots = \frac{Pab}{2l^2} (a + l)$$

$$M_x \text{ (when } x < a) \dots \dots \dots = R_1 x$$

$$M_x \text{ (when } x > a) \dots \dots \dots = R_1 x - P(x - a)$$

$$\Delta_{\max.} \text{ (when } a < .414l \text{ at } x = l \frac{l^2 + a^2}{3l^2 - a^2}) = \frac{Pa}{3EI} \frac{(l^2 - a^2)^3}{(3l^2 - a^2)^2}$$

$$\Delta_{\max.} \text{ (when } a > .414l \text{ at } x = l \sqrt{\frac{a}{2l + a}}) = \frac{Pab^2}{6EI} \sqrt{\frac{a}{2l + a}}$$

$$\Delta a \text{ (at point of load)} \dots \dots \dots = \frac{Pa^2 b^3}{12EI^3} (3l + a)$$

$$\Delta x \text{ (when } x < a) \dots \dots \dots = \frac{Pb^2 x}{12EI^3} (3a l^2 - 2l x^2 - a x^2)$$

$$\Delta x \text{ (when } x > a) \dots \dots \dots = \frac{Pa}{12EI^3} (l - x)^2 (3l^2 x - a^2 x - 2a^2 l)$$